

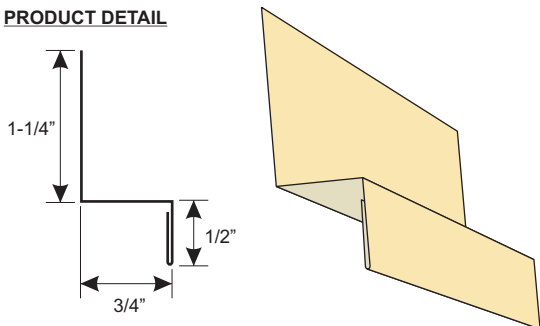


Tamlyn Color Flashing

Z Flashing

Horizontal Siding Joint Channel

PRODUCT DETAIL



Custom sizes available to fit your specifications !

DESIGN FEATURES

Z Flashing provides an easy to install and long-lasting method of stopping water penetration. Used over window trim, band boards, panel intersections, and other vertical surfaces.

INSTALLATION

1. After installing the lower course of panel siding, install Z flashing at the top edge of the panel. Make sure that the Z flashing is sloped away from the wall and does not rest flat on the top edge of the panel. Install the second level panels leaving a 1/4-in. minimum gap between the bottom of the panel and the Z flashing. This gap should never be caulked.
2. As an alternative, if a horizontal band board is used at the horizontal joint, flashing must extend over the panel edge and trim attachment. Z flashing must slip behind the water-resistive barrier.

MATERIAL

3105-type aluminum sheet coated on both sides with Dymalar® 2000 paint system that is specifically formulated for residential exterior applications. Standard colors shown below. Other colors available upon request.



**ColorPlus
Technology™**



ColorPlus Technology logo, Recommended logo, HardiePanel and HardiePlank are trademarks or registered trademarks of James Hardie International Finance B.V.

INSTALLATION DETAIL

