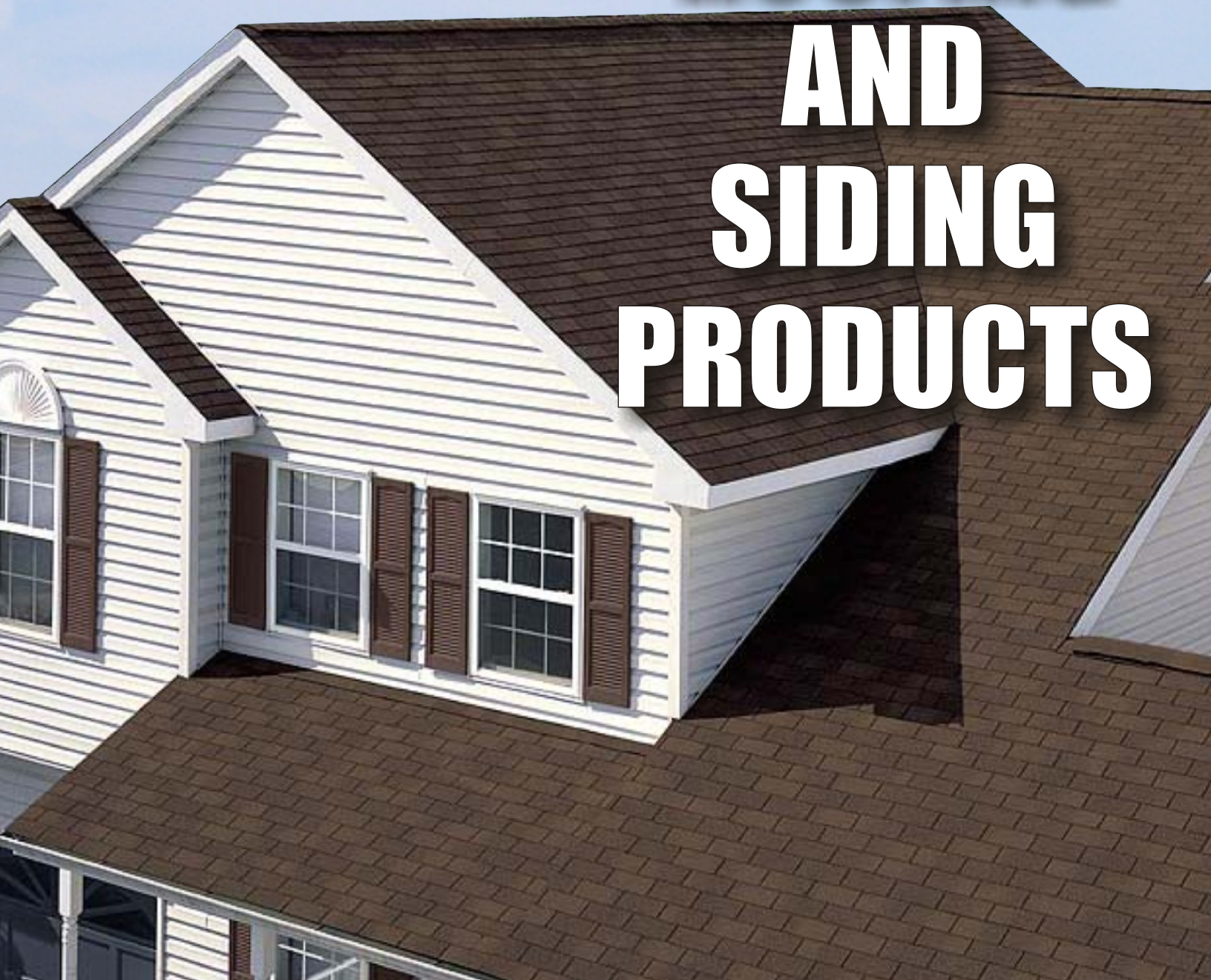




**ROOFING
AND
SIDING
PRODUCTS**



ME Style "A" Roof Edge	3
MG Style "G" Roof Edge	3
DL Style "D" Roof Edge	3
DLV Vented Drip Edge	3
GA Style "GA" Gutter Apron	3
BF Angle/Base Steel Flash	4
BFHH Angle/Base Steel Flash Two Hem	4
BFH Angle/Base Steel Flash One Hem	4
JF "J"/Tumbuck Flash Open Hem	5
AF Apron Flash	5
SB Shingle Base Flash	5
CF Style "CF" Counter Flash	5
FS Steel Step Shingles	6
FS Steel Flat Tin Shingles	6
C Style "C" Rain Diverter	6
GE Style "E" Gravel Guard	7
GM Style "M" Modified Roof Edge	7
FV "V" Formed Valley	7
HF "V" Formed Valley with Hem	7
PW "W" Formed Valley	7
HW "W" Formed Valley with Hem	7
RJS Roof Jack Straight Pipe	8
RJT Roof Jack Tapered Pipe	8
TV Steel Tyle Valley Pan	8
TRW Steel Tile Roof to Wall	8
TRO Steel Tile Rake Offset	8
TER Steel Tile Eave Riser	8
RF Galvanized Roll Valley Flash	9
BUC Steel Bucket Flash	10

SRF Steel Shingle Ridge Flash	10
BR Steel Brick Flash	10
GF Steel Garage Flash	10
WF Steel Window Flash	10
ZB Steel "Z" Flash	11
TF Style "TF" Termite Shield	11
TS Steel Formed Termite Shield	11
PCS Steel Plywood Clips	14
PC Alum Plywood Clips	14
PCG Plastic Plygrip™ Plywood Clips	14
MFR Moflo® Ridge Vent	14
ZBA Extruded Alum "Z" Flash	15
HMA Extruded Alum H-Mold	15
TC Tin Caps	15
WS Window Tape	15
CUVA Alum Continuous Vent Strip	16
SFV Stamped Foundation Vent	16
FVS Adjustable Foundation Vent	16
CLV Alum Mini Circle Vent	16
CV Alum Undereave/Soffit Vent	16
ASA Alum Gable Vent	16
SV Snapvent® Vinyl Soffit Vent	17
EZV Ezvent® Vinyl Soffit Vent	17
CUV Hat Shaped Vinyl Soffit Vent	17
SLV Single Leg Vinyl Soffit Vent	17
FV Fasciavent™ Vinyl Soffit Vent	17
CONN Vent Connector Clip Vinyl	17
VCHM Xtreme Trim™ Soffit H-Mold	18
VCSHM Xtreme Trim™ Siding H-Mold	18

HM Vinyl Soffit H-Mold	18
VCLSC Xtreme Trim™ Lap Siding Clip	18
VCPF Xtreme Trim™ Plank Flash	18
AR Xtreme Trim™ Shadoz® Adj. Reveal	19
VCVR Xtreme Trim™ Vertical Reveal	19
STUCCO Xtreme Trim™ Stucco Bead	19
TM Panelseam® T-Mold Vinyl	19
VCTM Xtreme Trim™ Panelseam® T-Mold	19
JM Xtreme Trim™ J-Mold	20
VWF Xtreme Trim™ Window Flash	20
VZB Xtreme Trim™ Zeam® Z Bar	20
FBD Foam Board Divider	20
VS Vented Strip	20
VCIC Xtreme Trim™ Permacorner® Inside Corner	21
VCIPC Xtreme Trim™ Panelcorner® Inside Corner	21
VCOOC Xtreme Trim™ Panel Open Outside Corner	21
VCICLP Xtreme Trim™ Panel Profile Inside Corner	21
VCOCLP Xtreme Trim™ Low Profile Outside Corner	21
VCPLBOC Xtreme Trim™ Panel Bullnose Outside Corner	21
VCPKBOC Xtreme Trim™ Plank Bullnose Outside Corner	21
VCPLBIC Xtreme Trim™ Panel Bullnose Inside Corner	22
VCPKBIC Xtreme Trim™ Plank Bullnose Inside Corner	22
SS Lapstart® Lap Starter Strip	22
PS Panelstart® Panel Starter Strip	22
FC Fascia Corner/Siding Corner	22
SSG Steel Siding Starter Strip	22

INDICATES NEW PRODUCT

COMPANY HISTORY

TAMLYN was established in May 1971 by Ron Tamlyn, Sr. with \$800 borrowed money and help from his wife, Jean, in a small shack in the back yard of their modest home in Bellaire, Texas. We remain family-owned to this day. Our history is one of quality, innovation, and proven performance. We are proud to represent the manufacturing end of the building products industry, and remain a competitive manufacturer committed to making products in America, giving customers a choice and not putting all their eggs in an uncertain import basket. An overwhelming majority of our products are still made in the USA. We believe it matters in helping America keep control of its destiny.

TAMLYN is very industry-involved. We aggressively support our distributors and dealers with advertising programs in print, radio, television, and internet.

TAMLYN PVC TRIM PAINTING GUIDE

- Tamlyn PVC Trim may be painted to achieve a custom color
- Use a light color, 100% acrylic latex paint with a light reflective value (LRV) of 55 or higher (Flat Black=0, pure white=100). Painting PVC trim with dark colors may cause the product to warp
- Tamlyn does not recommend painting our PVC products with dark colors unless a good quality heat reflective paint is used such as Sherwin-Williams Vinyl Safe™, and that it is applied according to the paint manufacturer's recommended application instructions
- If a dark color (LRV value of 50 or lower/darker) paint is used, excess solar heat may be absorbed, subjecting the PVC to warping and distortion due to extremes of thermal expansion and contraction. This reaction is even more evident when these parts are exposed to direct sunlight in hot climates. Paint adhesion loss, blistering and peeling may also result
- Failure to use heat reflective dark color paints on Tamlyn PVC products will void Tamlyn's warranty and Tamlyn will not be responsible for repair or replacement of any resulting damage due to distortion, warping, buckling, shrinkage, paint blistering, or peeling of paint on the PVC products, or repair or replacement of related siding, soffit, or trim products
- Always follow the paint manufacturer's recommendations to apply
- Make sure Tamlyn PVC Trim is clean and dry before painting

TAMLYN XTREME TRIM™ PAINTING GUIDE

- Manufactured from eco-friendly, sustainable, recyclable, fire-resistant material
- Tamlyn Xtreme Trim™ may be used in interior or exterior weather conditions
- Tamlyn Xtreme Trim™ is paintable in either light or dark colors in either latex or oil base paints
- Always follow the paint manufacturer's recommendations to apply

LIMITED WARRANTY

TAMLYN warrants defective-free products for a period of 10 years for the original purchaser unless otherwise stated for the specific product ordered. TAMLYN products are further warranted as to adequacy of design, provided products are properly specified and installed. This warranty does not apply in the event products are altered in any way or are improperly installed. Liability is limited to replacement of products proven to be defective. TAMLYN has made no other warranty, express or implied, regarding its products, including but not limited to, any warranty regarding merchantability or fitness for a specific purpose. Any claim that a product is defective must be brought within 1 month of the date of installation of such products to the original purchaser. Customer hereby agrees that no other incidental or consequential damages are the responsibility of TAMLYN.

Responsibility remains with the architect or engineer, contractor and owner for the design, application and proper installation of each Tamlyn product. Specifier and user shall determine the suitability of products for specific application and assume all responsibilities in connection therewith.

The PVC TAMLYN buys is an industry-standard, rigid, durable, chemically resistant product designed for outdoor weatherability. While the PVC is paintable, we cannot know what may be added to paints, primers etc. that could affect the PVC. Installers must consult with the paint manufacturer's technical department for their specific recommendations on priming and painting PVC. Where parts are designed to work together, TAMLYN vinyl products are not warranted if installed in conjunction with other non-Tamlyn vinyl products.

TAMLYN PVC Trim may be painted to achieve a custom color. Use a light color, 100% acrylic latex paint with a light reflective value (LRV) of 55 or higher (Flat Black=0, pure white=100). Painting PVC trim with dark colors may cause the product to warp. TAMLYN does not recommend painting our PVC products with dark colors unless a good quality heat reflective paint is used such as Sherwin-Williams Vinyl Safe™, and that it is applied according to the paint manufacturer's recommended application instructions.

Note re flammability: PVC products will not support or spread flames. They are self-extinguishing as soon as the flame source is removed.

PLEASE NOTE

TAMLYN reserves the right to change designs, specifications and product availability without notice or liability for such changes. Samples of our products are available upon request at no charge.

TAMLYN products are typically identified using an alphabetic descriptor system which makes it easier to find a part by its "number".

TAMLYN products are produced in a variety of gauges and finishes. Here, also, we are utilizing an alphabetic descriptor "number" on the majority of items.

Regional variances in naming of roofing trim parts is common.

TAMLYN uses the names in most common use in the markets where we are based.

Unless specifically noted all dimensions are nominal and are intended to be used as such in the same manner as common lumber dimensions.

MATERIAL GAUGE AND WEIGHT REFERENCE TABLE							
ALUM SHEET PRODUCTS				GALV STEEL PRODUCTS			
GA	THICKNESS		APPRX. LBS PER SQ.FT.	GA	THICKNESS		APPRX. LBS PER SQ.FT.
	DEC. EQUIV.	MAX MIN			DEC. EQUIV.	MAX MIN	
20	.0320	.0355 .0305	.450	26(H)	.0217	.0247 .0179	.907
22	.0255	.0274 .0225	.350	28(M)	.0187	.0217 .0157	.350
24	.0200	.0234 .0173	.260	30	.0157	.0187 .0127	.657
AS	.0145	.0180 .0140	.205	ST	.0120	.0125 .0110	.507
AE	.0085	.0090 .0078	.125	BG	.0100	.0115 .0097	.408

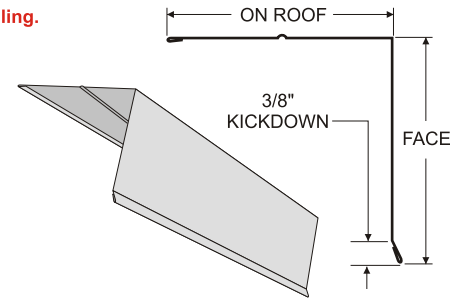
NOTE ON ALL PAINTED PRODUCTS: In this catalog "P" is used to indicate PAINTED items. When ordering, be sure to specify the actual color code for the item ordered. See color code chart below.

COLORS AVAILABLE	
CHARCOAL, WEATHERWOOD - CB or WW	
WHITE - WH	
BROWN - BR	
ALMOND - AM	
BLACK - BK	

STYLE "A" HEMMED ROOF EDGE 10' LENGTH 25/BDL - 1,000 PER LIFT

Economical Metal Edge for general use. Deflects water away from fascia board. Hemmed edges for safe handling. Dimensions are nominal.

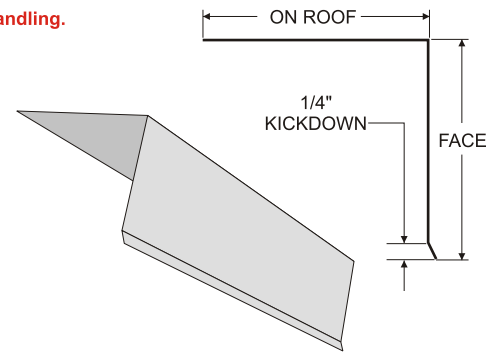
DESCRIPTION	FACE	ON ROOF	GIRTH	BLDR GALV	STD GALV	PAINTED	26 GA GZ
1 x 2 Style "A" Roof Edge	1"	2"	3"	ME130GBG	ME130GSG	ME130P	SO
				\$ 3.20	\$ 3.45	\$ 5.15	\$ 5.45
1-1/2 x 1-1/2 Style "A" Roof Edge	1-1/2"	1-1/2"	3"	ME11230GBG	ME11230GSG	ME11230P	SO
				\$ 3.20	\$ 3.45	\$ 5.15	\$ 5.45
2 x 2 Style "A" Roof Edge	2"	2"	4"	ME240GBG	ME240GSG	ME240P	SO
				\$ 4.45	\$ 4.80	\$ 7.35	\$ 7.60



STYLE "G" UNHEMMED ROOF EDGE 10' LENGTH 25/BDL - 1,000 PER LIFT

Metal Edge for general use. Deflects water away from fascia board. Unhemmed edges require cautious handling.

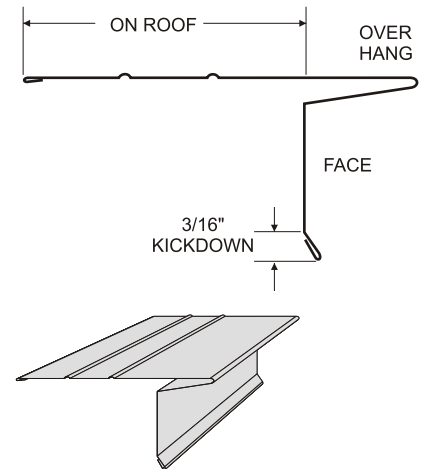
DESCRIPTION	FACE	ON ROOF	GIRTH	STD GALV	PAINTED	26 GA GZ
2.5 x 1.5 Style "G" Roof Edge	2-1/2"	1-1/2"	4"	MG240GSG	MG240P	MG240H
				\$ 5.05	\$ 7.60	\$ 8.00
2 x 4 Style "G" Roof Edge	2"	4"	6"	MG260GSG	MG260P	MG260H
				\$ 8.15	\$ 12.25	\$ 12.10
3 x 3 Style "G" Roof Edge	3"	3"	6"	MG360GSG	MG360P	MG360H
				\$ 8.15	\$ 12.25	\$ 12.10
4 x 4 Style "G" Roof Edge	4"	4"	8"	MG480GSG	MG480P	MG480H
				\$ 11.75	\$ 17.65	\$ 18.60



STYLE "D" ROOF EDGE 10' LENGTH 25/BDL - 1,000 PER LIFT

Style "D", "DL", or Eave Drip are common names for this item. Deflects water away from fascia board. Hemmed edges for safe handling. Extended lip helps prevent shingle damage. Open nose of edge allows ease of installation on steeply pitched roofs.

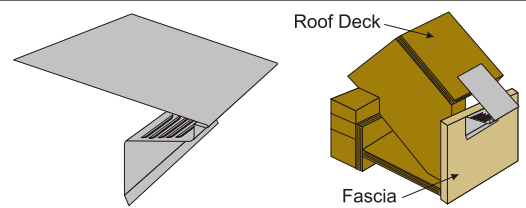
DESCRIPTION	FACE	ON ROOF	GIRTH	BLDR GALV	STD GALV	PAINTED	26 GA GZ
4" Style D 1" Face - Eave Drip	1"	1-5/8"	4"	SO	DL140GSG	DL140P	SO
				\$ 4.35	\$ 4.65	\$ 7.35	\$ 7.35
4-1/2" Style D 1" Face - Eave Drip	1"	2-1/8"	4-1/2"	DL145GBG	DL145GSG	DL145P	SO
				\$ 5.00	\$ 5.30	\$ 7.95	\$ 8.40
4-1/2" Style D 1-1/2" Face - Eave Drip	1-1/2"	1-5/8"	4-1/2"	DL1545GBG	DL1545GSG	DL1545P	DL1545H
				\$ 5.00	\$ 5.30	\$ 7.95	\$ 9.00
6" Style D 1-3/4" Face - Eave Drip	1-3/4"	2-7/8"	6"	NA	DL176	DL176HP	DL176H
					\$ 7.50	\$ 11.50	\$ 12.10
6" Style D 2-1/2" Face - Eave Drip	2-1/2"	2-1/8"	6"	NA	SO	DL256HP	DL256H
					\$ 7.50	\$ 11.50	\$ 12.10



VENTED DRIP EDGE Combines excellent air intake with sturdy, rust free drip edge.

Useful in designs with little or no overhang area. SOLD IN FULL CTNS ONLY

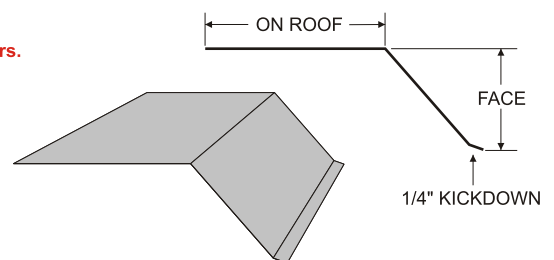
ITEM ID	DESCRIPTION	PC/BX	LENGTH	FT/BX	PRICE/BX	PRICE/PC
DLV10	10' Vented Drip Edge	25	10	250	CALL FOR PRICING	
DLV10BK	10' Vented Drip Edge - Black	25	10	250	CALL FOR PRICING	
DLV10BR	10' Vented Drip Edge - Brown	25	10	250	CALL FOR PRICING	



STYLE "GA" GUTTER APRON 10' LENGTH 25/BDL - 500 PER LIFT

Deflects water away from fascia board. Used commonly with very steep pitched roofs with gutters. May be used in most roofing applications.

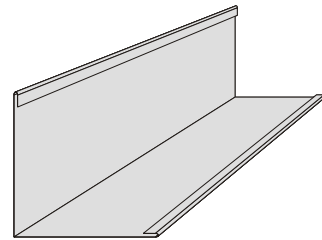
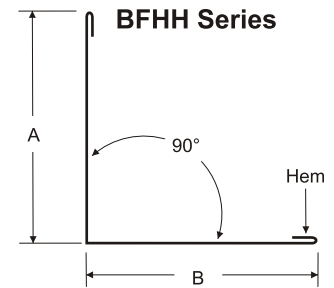
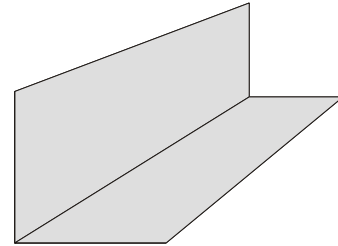
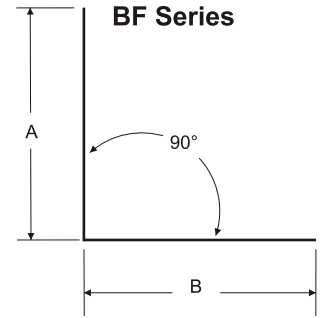
DESCRIPTION	FACE	ON ROOF	GIRTH	STD GALV	PAINTED	26 GA GZ
5" Gutter Apron, 2" Face	2"	2-3/4"	5"	GA2050	GA2050P	SO
				\$ 6.00	\$ 7.20	\$ 9.50
6" Gutter Apron, 3" Face	3"	2-3/4"	6"	GA3060	SO	SO
				\$ 7.20	\$ 11.60	\$ 11.40



ANGLE/BASE STEEL FLASH NO HEM except as noted. 10' LENGTH 25/BDL

Efficient wall to roof application. Protects against leaks at walls and chimneys to roof connections. Double Hemmed parts are safer products for retail outlet sales. Angles other than 90° available as special order.

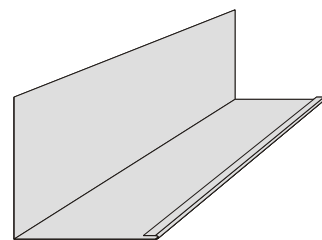
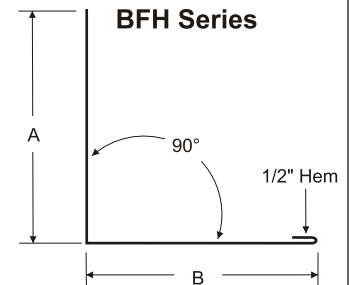
DESCRIPTION	A	B	GIRTH	BLDR GALV	STD GALV	PAINTED	26 GA GZ
2" x 2" Angle/Base Flashing 90°	2"	2"	4"	SO	BF1022	SO	SO
				\$ 5.55	\$ 5.90	\$ 9.50	\$ 9.35
2" x 4" Angle/Base Flashing 90°	2"	4"	6"	SO	BF1024	SO	SO
				\$ 6.60	\$ 8.15	\$ 13.15	\$ 12.90
3" x 3" Angle/Base Flashing 90°	3"	3"	6"	BF1033B	BF1033	SO	BF1033H
				\$ 6.90	\$ 8.15	\$ 13.15	\$ 12.90
3" x 5" Angle/Base Flashing 90°	3"	5"	8"	BF1035B	BF1035	SO	BF1035H
				\$ 9.50	\$ 11.75	\$ 18.95	\$ 18.60
4" x 4" Angle/Base Flashing 90°	4"	4"	8"	BF1044B	BF1044	SO	BF1044H
				\$ 9.50	\$ 11.75	\$ 18.95	\$ 18.60
4" x 4" Angle/Base Flashing (Specify)°	4"	4"	8"	SO	BF1044X	SO	SO
				\$ 9.50	\$ 11.75	\$ 18.95	\$ 18.60
4" x 5" Angle/Base Flashing 90°	4"	5"	9"	SO	BF1045	SO	BF1045H
				\$ 12.50	\$ 13.25	\$ 21.35	\$ 20.95
4" x 6" Angle/Base Flashing 90°	4"	6"	10"	SO	BF1046	SO	BF1046H
				\$ 13.70	\$ 14.70	\$ 23.70	\$ 23.25
6" x 6" Angle/Base Flashing 90°	6"	6"	12"	NA	BF1066	SO	BF1066H
					\$ 17.60	\$ 28.35	\$ 27.85
5" x 9" Angle/Base Flashing 90°	5"	9"	14"	NA	BF1059	SO	SO
					\$ 20.55	\$ 33.10	\$ 32.50
7" x 7" Angle/Base Flashing 90°	7"	7"	14"	NA	BF1077	SO	SO
					\$ 20.55	\$ 33.10	\$ 32.50
8" x 8" Angle/Base Flashing 90°	8"	8"	16"	NA	BF1088	SO	SO
					\$ 23.50	\$ 37.85	\$ 37.15
3" x 5" Angle/Base Flashing 90° with Two Hems	2.8"	4.8"	8"	BFHH1035B	BFHH1035	SO	SO
				\$ 9.85	\$ 12.60	\$ 20.30	\$ 19.00
4" x 4" Angle/Base Flashing 90° with Two Hems	3.8"	3.8"	8"	BFHH1044B	BFHH1044	SO	BFHH1044H
				\$ 9.85	\$ 12.60	\$ 20.30	\$ 18.80
5" x 5" Angle/Base Flashing 90° with Two Hems	4.8"	4.8"	10"	SO	BFHH1055	SO	SO
				\$ 14.65	\$ 15.75	\$ 25.40	\$ 23.50
6" x 6" Angle/Base Flashing 90° with Two Hems	5.8"	5.8"	12"	NA	BFHH1066	SO	SO
					\$ 18.15	\$ 29.25	\$ 27.00



ANGLE/BASE STEEL FLASH ONE HEM 10' LENGTH 25/BDL

Efficient wall to roof application. Protects against leaks at walls and chimneys to roof connections. Hem on this part is a low opening of approximately 3/32". Other sizes available as special order.

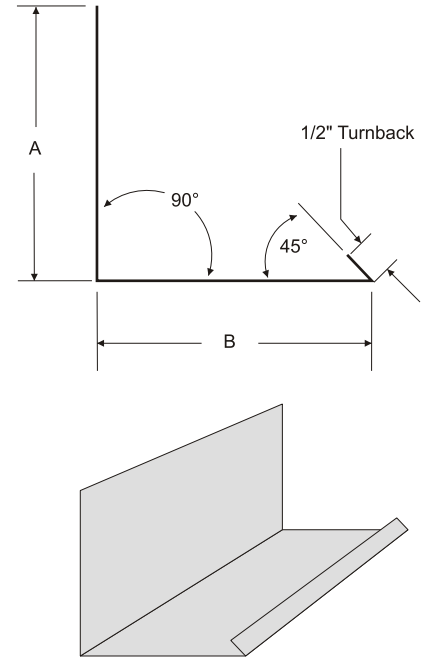
DESCRIPTION	A	B	GIRTH	BLDR GALV	STD GALV	PAINTED	26 GA GZ
4" x 3.5" Angle/Base Flashing 90° with One Hem	4"	3.5"	8"	BFH10435B	BFH10435S	SO	BFH10435H
				\$ 9.85	\$ 12.00	\$ 19.35	\$ 17.40
4" x 4" Angle/Base Flashing 90° with One Hem	4"	4"	8.5"	BFH1044B	BFH1044S	SO	BFH1044H
				\$ 10.60	\$ 12.60	\$ 20.30	\$ 18.80
4.5" x 5" Angle/Base Flashing 90° with One Hem	4.5"	5"	10"	BFH10455B	BFH10455S	SO	BFH10455H
				\$ 13.25	\$ 15.75	\$ 25.40	\$ 23.50
5" x 4.5" Angle/Base Flashing 90° with One Hem	5"	4.5"	10"	BFH10545B	BFH10545S	SO	BFH10545H
				\$ 13.25	\$ 15.75	\$ 25.40	\$ 23.50
6" x 5.5" Angle/Base Flashing 90° with One Hem	6"	5.5"	12"	BFH10655B	BFH10655S	SO	BFH10655H
				\$ 15.25	\$ 18.15	\$ 29.25	\$ 27.00
6" x 6" Angle/Base Flashing 90° with One Hem	6"	6"	12.5"	NA	BFH1066S	SO	SO
					\$ 18.90	\$ 30.45	\$ 29.90



"J"/TURNBACK FLASHING with OPEN HEM 10' LENGTH 25/BDL

Protects against leaks at walls and chimneys to roof connections. Hem on this part is 1/2" and open at approximately a 45° angle. Angles other than 90° available as special order.

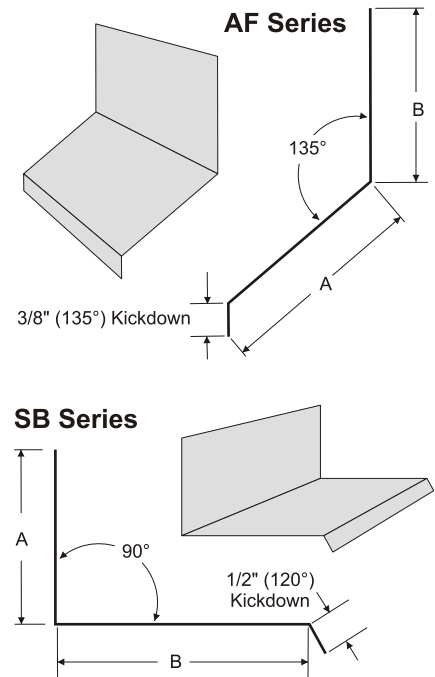
DESCRIPTION	A	B	GIRTH	BLDR GALV	STD GALV	PAINTED	26 GA GZ
4" x 3-1/2" x 1/2" J Turnback Flashing	4"	3-1/2"	8"	JF10435B	JF10435	SO	JF10435H
				\$ 9.85	\$ 13.90	\$ 19.35	\$ 17.40
4" x 4-1/2" x 1/2" J Turnback Flashing	4"	4-1/2"	9"	JF1044B	JF1044	SO	JF1044H
				\$ 11.40	\$ 14.65	\$ 23.60	\$ 21.80
4" x 5" x 1/2" J Turnback Flashing	4"	5"	9-1/2"	SO	JF1045	SO	JF1045H
				\$ 14.40	\$ 15.45	\$ 24.90	\$ 23.00
5" x 4-1/2" x 1/2" J Turnback Flashing	5"	4-1/2"	10"	SO	JF1055	SO	JF1055H
				\$ 15.15	\$ 16.25	\$ 26.20	\$ 24.20
5" x 6-1/2" x 1/2" J Turnback Flashing	5"	6-1/2"	12"	SO	JF10565	SO	SO
				\$ 18.20	\$ 19.55	\$ 31.50	\$ 30.90
6" x 5-1/2" x 1/2" J Turnback Flashing	6"	5-1/2"	12"	SO	JF1065	SO	JF1065H
				\$ 18.20	\$ 19.55	\$ 31.50	\$ 27.00
6" x 6" x 1/2" J Turnback Flashing	6"	6"	12-1/2"	NA	JF6610	SO	SO
					\$ 21.20	\$ 34.15	\$ 33.50
6" x 6-1/2" x 1/2" J Turnback Flashing	6"	6-1/2"	13"	NA	JF10665	SO	SO
					\$ 16.90	\$ 27.25	\$ 26.75
6" x 11-1/2" x 1/2" J Turnback Flashing	6"	11-1/2"	18"	NA	JF116	SO	JF116H
					\$ 29.25	\$ 47.10	\$ 43.60



APRON and SHINGLE BASE FLASHING 10' LENGTH 25/BDL

Protects against leaks at transition of walls to roof and chimneys to roof connections. Flexibility of either style allows for jobsite adjustment of angle to fit roof slope.

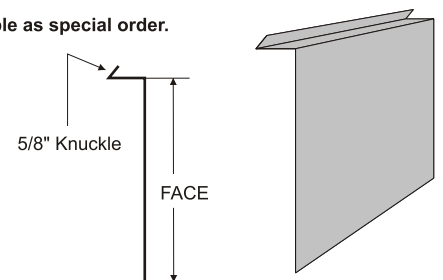
DESCRIPTION	A	B	GIRTH	BLDR GALV	STD GALV	PAINTED	26 GA GZ
2-1/2" x 4-1/2" Apron Flashing 135°	2-1/2"	4-1/2"	7"	AF7	AF7S	NA	SO
				\$ 10.00	\$ 10.70	\$ 17.25	\$ 16.95
3" x 4-1/2" Apron Flashing 135°	3"	4-1/2"	7-1/2"	AF75	AF75S	SO	AF75H
				\$ 10.65	\$ 11.45	\$ 18.45	\$ 17.00
3-1/2" x 4-1/2" Apron Flashing 135°	3-1/2"	4-1/2"	8"	AF8	AF8S	SO	AF8H
				\$ 11.35	\$ 12.20	\$ 19.65	\$ 18.10
4" x 4-1/2" Apron Flashing 135°	4"	4-1/2"	8-1/2"	NA	AF85S	SO	AF85H
					\$ 13.00	\$ 20.95	\$ 19.40
4" x 4-1/2" x 1/2" Shingle Base Flashing	4"	4-1/2"	9"	NA	SB4120	NA	SO
					\$ 14.20		\$ 22.45
5" x 4-1/2" x 1/2" Shingle Base Flashing	5"	4-1/2"	10"	NA	SB5	NA	SO
					\$ 15.75		\$ 24.90
6" x 5-1/2" x 1/2" Shingle Base Flashing	6"	5-1/2"	12"	NA	SB6512	NA	SO
					\$ 18.90		\$ 29.90
6" x 11-1/2" x 1/2" Shingle Base Flashing	6"	11-1/2"	18"	NA	SB61112	NA	SO
					\$ 28.30		\$ 44.75



STYLE "CF" COUNTERFLASH 10' LENGTH 25/BDL

Deflects water away from chimneys, etc. Used with other trims to secure watertightness. Other sizes available as special order.

DESCRIPTION	FACE	KNUCKLE	GIRTH	STD GALV	PAINTED	26 GA GZ
5" Counterflash	3-1/2"	5/8"	5"	CF50	SO	SO
				\$ 9.65	\$ 15.55	\$ 15.25
6" Counterflash	4-1/2"	5/8"	6"	CF60	CF60P	SO
				\$ 11.60	\$ 18.00	\$ 18.35
7" Counterflash	5-1/2"	5/8"	7"	CF70	SO	SO
				\$ 13.50	\$ 21.75	\$ 21.35

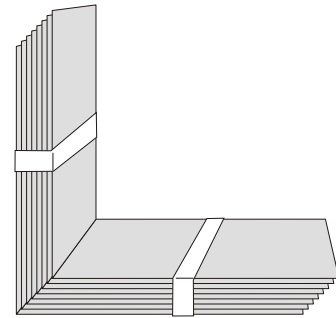
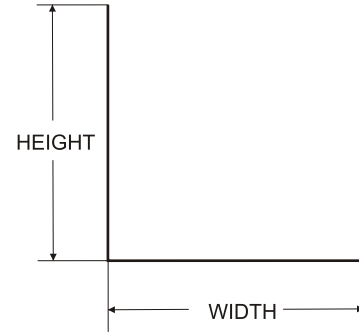


STEEL STEP SHINGLES - 100/BDL (100 BDL/PALLET)

Multiple uses including chimney and skylight flashing. Furnished in pre-cut, user friendly pieces; no need to spend valuable time cutting 10' flashing pieces to required shorter lengths.

Other sizes available as special order.

DESCRIPTION	HEIGHT	WIDTH	LENGTH	BLDR GALV	STD GALV	PAINTED	26 GA GZ
2" x 3" x 7" Step Shingle	2"	3"	7"	FS237	SO	NA	NA
				\$ 47.10	\$ 50.70		
3" x 4" x 7" Step Shingle	3"	4"	7"	FS347	SO	NA	NA
				\$ 47.85	\$ 51.50		
4" x 4" x 7" Step Shingle	4"	4"	7"	FS447	SO	NA	NA
				\$ 53.35	57.50		
4" x 4" x 8" Step Shingle	4"	4"	8"	FS448	SO	SO	SO
				\$ 57.00	\$ 61.30	\$ 98.70	\$ 97.00
4" x 2" x 8" Step Shingle	4"	2"	8"	FS428	SO	NA	NA
				\$ 53.35	\$ 57.50		
4" x 4" x 10" Step Shingle	4"	4"	10"	FS4410	SO	SO	SO
				\$ 72.85	\$ 78.50	\$ 126.40	\$ 125.00
4" x 4" x 12" Step Shingle	4"	4"	12"	FS4412	SO	SO	SO
				\$ 87.50	\$ 94.00	\$ 151.50	\$ 149.00
5" x 5" x 7" Step Shingle	5"	5"	7"	FS557	SO	NA	NA
				\$ 68.05	\$ 73.20		
6" x 6" x 10" Step Shingle	6"	6"	10"	FS6610	SO	SO	SO
				\$ 114.00	\$ 122.60	\$ 197.50	\$ 194.00
6" x 6" x 12" Step Shingle	6"	6"	12"	FS6612	SO	SO	SO
				\$ 134.25	\$ 144.50	\$ 232.70	\$ 229.00

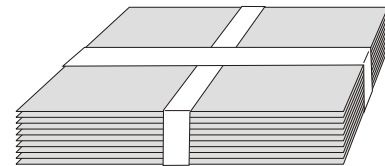
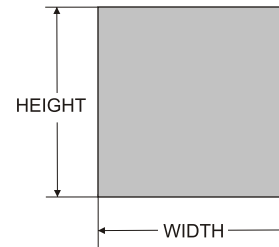


STEEL FLAT TIN SHINGLES - 100/BDL (100 BDL/PALLET)

Multiple uses including chimney and skylight flashing. Furnished in pre-cut, user friendly pieces; no need to spend valuable time cutting 10' flashing pieces to required shorter lengths.

Cover wood shingle cracks. Many roof flashing uses. Other sizes available as special order.

DESCRIPTION	HEIGHT	WIDTH	BLDR GALV	STD GALV	PAINTED	26 GA GZ
5" x 7" Flat Tin Shingles	5"	7"	FS57	SO	SO	SO
			\$ 41.25	\$ 44.50	\$ 71.70	\$ 70.30
6" x 8" Flat Tin Shingles	6"	8"	FS68	SO	SO	SO
			\$ 53.00	\$ 57.00	\$ 91.80	\$ 90.00
8" x 7" Flat Tin Shingles	8"	7"	FS87	SO	SO	SO
			\$ 53.35	\$ 57.50	\$ 92.60	\$ 90.90
8" x 8" Flat Tin Shingles	8"	8"	FS88	SO	SO	SO
			\$ 55.20	\$ 59.50	\$ 85.50	\$ 94.00
7" x 12" Flat Tin Shingles	7"	12"	FS712	SO	SO	SO
			\$ 86.00	\$ 92.50	\$ 149.00	\$ 146.30

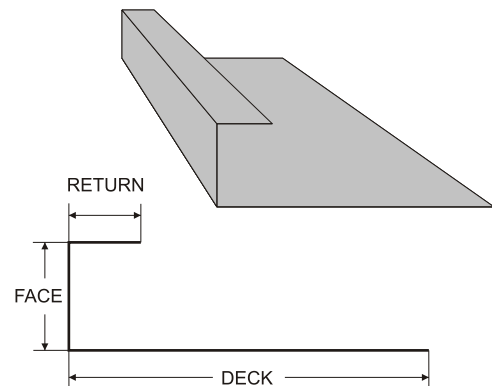


STYLE "C" RAIN DIVERTER 6' or 10' LENGTH - 25/BDL

Deflects water away from doors, windows where no gutter is used.

Installed on roof surface 2-3 courses above edge of roof. Also used as a roof edge in some areas.

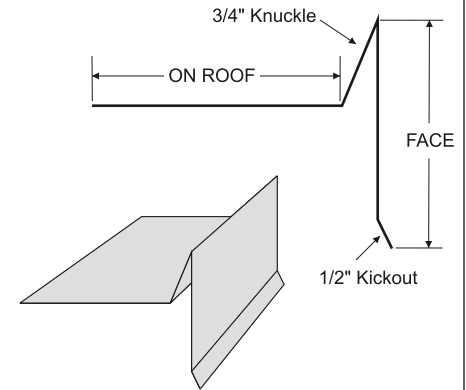
DESCRIPTION	FACE	RETURN	DECK	GIRTH	STD GALV	PAINTED	26 GA GZ
C Flash 1-1/2" Face with U Return 6 Ft Length	1-1/2"	1"	5"	7-1/2"	C75-6	C75-6P	SO
					\$ 6.65	\$ 8.20	\$ 10.55
C Flash 1-1/2" Face with U Return 10 Ft Length	1-1/2"	1"	5"	7-1/2"	C75-10	C75-10P	SO
					\$ 10.90	\$ 13.30	\$ 17.25
C Flash 1-1/2" Face with U Return 10 Ft Length	1-1/2"	1"	3-1/2"	6"	C60	C60P	SO
					\$ 9.50	\$ 11.60	\$ 15.00



STYLE "E" GRAVEL GUARD 10' LENGTH 25/BDL

Deflects water away from fascia board. Has a 3/4" knuckle for greater rigidity and to hide roof deck. Used with conventional gravel/flat roof applications. Other sizes available as special order.

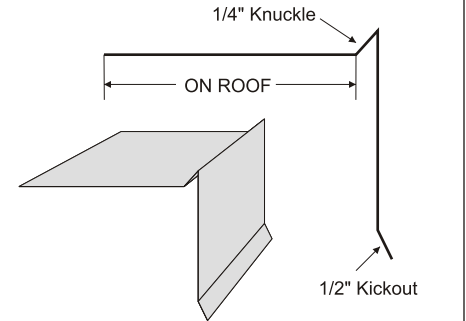
DESCRIPTION	FACE	ON ROOF	GIRTH	BLDR GALV	STD GALV	PAINTED	26 GA GZ
5" Gravel Guard, 2" Face, 3/4" Knuckle	2"	2-1/4"	5"	SO	GE2050	SO	SO
				\$ 8.65	\$ 9.25	\$ 14.90	\$ 14.65
6" Gravel Guard, 3" Face, 3/4" Knuckle	3"	2-1/4"	6"	SO	GE3060	SO	GE3060H
				\$ 10.65	\$ 11.10	\$ 17.90	\$ 16.50
7" Gravel Guard, 3.5" Face, 3/4" Knuckle	3-1/2"	2-3/4"	7"	NA	GE3570	SO	SO
					\$ 12.95	\$ 20.90	\$ 20.50
8" Gravel Guard, 3.5" Face, 3/4" Knuckle	3-1/2"	3-3/4"	8"	NA	GE3580	SO	GE3580H
					\$ 14.80	\$ 23.85	\$ 22.00



STYLE "M" MODIFIED ROOF EDGE 10' LENGTH 25/BDL

Deflects water away from fascia board. Has a 1/4" knuckle standard. Used on roofs with EPDM or other roll roofing. Other sizes available as special order.

DESCRIPTION	FACE	ON ROOF	GIRTH	BLDR GALV	STD GALV	PAINTED	26 GA GZ
5" Modified Roof Edge, 2" Face 1/4" Knuckle	2"	2-3/4"	5"	GM2050B	GM2050	SO	SO
				\$ 7.80	\$ 9.25	\$ 14.90	\$ 14.65
6" Modified Roof Edge, 3" Face 1/4" Knuckle	3"	2-3/4"	6"	SO	GM3060	SO	SO
				\$ 10.35	\$ 11.10	\$ 17.90	\$ 16.50
7" Modified Roof Edge, 3.5" Face 1/4" Knuckle	3-1/2"	3-1/4"	7"	SO	GM3570	SO	SO
				\$ 12.10	\$ 12.95	\$ 20.90	\$ 20.50

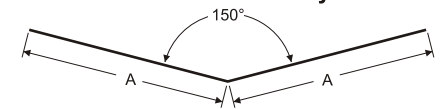


PRE-FORMED VALLEY PANS 10' LENGTH - 10/BDL 100/PALLET

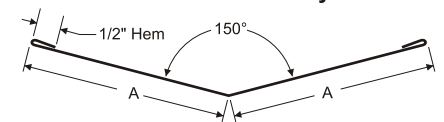
Provides added water shed in valley. Formed and preformed valley serves the same purpose as the roll valley. Formed valley gives the exposed valley a creased or finished look. Hemmed edges available.

DESCRIPTION	A	GIRTH	STD GALV	PAINTED	26 GA GZ
Flat/Plain Valley 15" V Formed Valley	7-1/2"	15"	FV150	SO	FV150H
			\$ 21.90	\$ 35.30	\$ 28.30
Flat/Plain Valley with Hem 18" V Formed Valley Hemmed	8-1/2"	18"	HF180	SO	HF180H
			\$ 26.25	\$ 42.30	\$ 33.95
Plain W Valley "No Hem" 20" Preformed Valley	9"	20"	PW200	SO	PW200H
			\$ 30.30	\$ 48.80	\$ 39.55
Plain W Valley "No Hem" 24" Preformed Valley	11"	24"	PW240	SO	PW240H
			\$ 37.95	\$ 61.00	\$ 47.70
W Valley with Hems 18" Preformed Valley Hemmed	7-1/2"	18"	HWO180	SO	HWO180H
			\$ 27.25	\$ 43.90	\$ 34.05
W Valley with Hems 20" Preformed Valley Hemmed	8-1/2"	20"	HWO200	SO	HWO200H
			\$ 31.30	\$ 50.40	\$ 40.55
W Valley with Hems 24" Preformed Valley Hemmed	10-1/2"	24"	HWO240	SO	HWO240H
			\$ 38.95	\$ 62.70	\$ 48.70

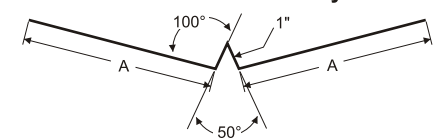
FV Series "V" Formed Valley



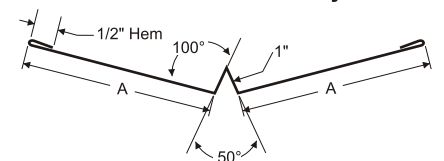
HF Series "V" Formed Valley with Hem



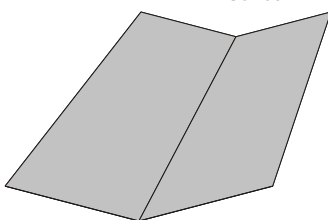
PW Series "W" Formed Valley



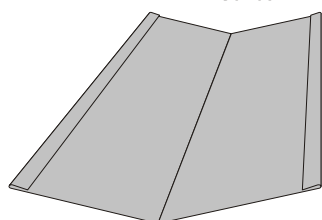
HW Series "W" Formed Valley with Hem



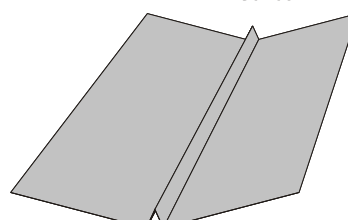
FV Series



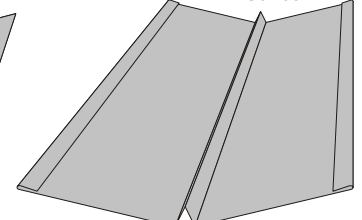
HF Series



PW Series



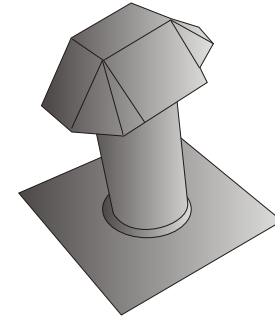
HW Series



ROOF JACKS - STRAIGHT PIPE GALVANIZED

Covers roof penetrations with rain deflecting cap and base.
May be field painted after proper cleaning.

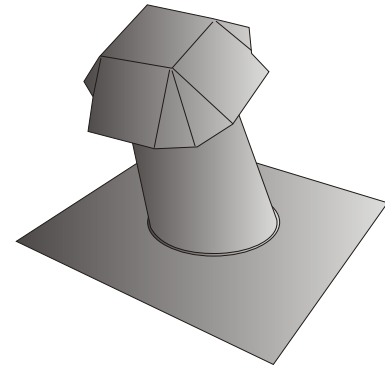
ITEM ID	DESCRIPTION	NOTE	PACK	STD GALV
RJS3G	Roof Jack Straight Pipe - 3" Galvanized	PITCH OF BASE MUST BE SPECIFIED WHEN ORDERING i.e., 0/12, 3/12, 5/12, 8/12, etc.	20	\$ 27.20
RJS4G	Roof Jack Straight Pipe - 4" Galvanized		20	\$ 27.20
RJS5G	Roof Jack Straight Pipe - 5" Galvanized		12	\$ 29.05
RJS6G	Roof Jack Straight Pipe - 6" Galvanized		12	\$ 30.60
RJS7G	Roof Jack Straight Pipe - 7" Galvanized		8	\$ 41.45
RJS8G	Roof Jack Straight Pipe - 8" Galvanized		6	\$ 44.15



ROOF JACKS - TAPERED PIPE - GALVANIZED AND PAINTED

Covers roof penetrations with rain deflecting cap and base.
Larger base and tapered pipe is a more flexible product and lower profile than straight pipe roof jack.

ITEM ID	DESCRIPTION	PACK	STD GALV	COLORS	PACK	PAINTED
RJT640	Roof Jack Tapered Pipe - 6" to 4" - 0/12 Pitch Base	15	\$ 27.55	WW, BK, BR	9	\$ 30.35
RJT6436	Roof Jack Tapered Pipe - 6" to 4" - 3-6/12 Pitch Base	15	\$ 27.55	WW, BK, BR	9	\$ 30.35
RJT6479	Roof Jack Tapered Pipe - 6" to 4" - 7-9/12 Pitch Base	15	\$ 27.55	WW, BK, BR	9	\$ 32.60
RJT641012	Roof Jack Tapered Pipe - 6" to 4" - 10-12/12 Pitch Base	15	\$ 27.55	WW, BK, BR	9	\$ 34.40
RJT860	Roof Jack Tapered Pipe - 8" to 6" - 0/12 Pitch Base	10	\$ 29.95	WW, BK, BR	8	\$ 36.60
RJT8636	Roof Jack Tapered Pipe - 8" to 6" - 3-6/12 Pitch Base	10	\$ 29.95	WW, BK, BR	8	\$ 36.60
RJT8679	Roof Jack Tapered Pipe - 8" to 6" - 7-9/12 Pitch Base	10	\$ 29.95	WW, BK, BR	8	\$ 38.90
RJT861012	Roof Jack Tapered Pipe - 8" to 6" - 10-12/12 Pitch Base	10	\$ 29.95	WW, BK, BR	8	\$ 41.00



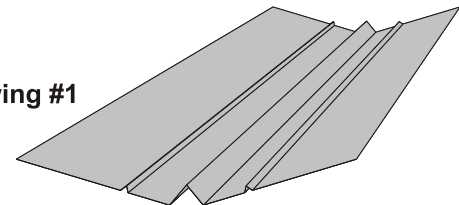
GALVANIZED STEEL TILE ROOFING TRIMS AND FLASHINGS

PRE-FORMED TILE ROOF TRIMS 10' LENGTH - 10/BDL- 100/PLT

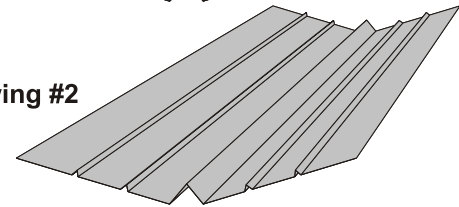
Products designed and made to assure excellent drainage and use with all types and brands of roof tiles.
Meet or exceed tile company standards. Hemmed edges available.

DESCRIPTION	LEG	GIRTH	STD GALV	PAINTED	26 GA
20" Low Center Rise, 1 Minor Rib Tile Valley - Drawing #1	8.5"	20"	TV201S	TV201LP	TV201LH
			\$ 31.30	\$ 48.50	\$ 40.55
24" Low Center Rise, 2 Minor Rib Tile Valley - Drawing #2	10.75"	24"	TV242S	TV242LP	TV242LH
			\$ 39.95	\$ 62.00	\$ 49.70
24", 3.5" High Center Rise, 2 Minor Rib Tile Valley - Drawing #4	9.5"	24"	NA	TV242TP	TV242TH
				\$ 63.50	\$ 51.00
28", 3.5" High Center Rise, 3 Minor Rib Tile Valley - Drawing #3	11.25"	28"	NA	TV283TP	TV283TH
				\$ 74.00	\$ 59.50
Roof To Wall Tile Pan - Drawing #5	3.5"	13"	SO	TRW13P	TRW13H
			\$ 18.00	\$ 29.00	\$ 27.00
Roof To Wall Tile Pan - Drawing #5	6.5"	16"	SO	TRW16P	TRW16H
			\$ 20.50	\$ 33.00	\$ 33.00
Eave Riser - Drawing #6	1.5"	4"	NA	TROP	TROH
				\$ 34.60	\$ 33.00
Rake Offset Trim - Drawing #7	7-1/2"	12'	SO	TER4P	TER4H
			\$ 5.50	\$ 8.80	\$ 7.90

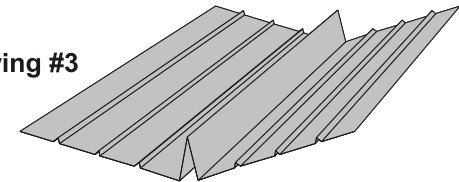
Drawing #1



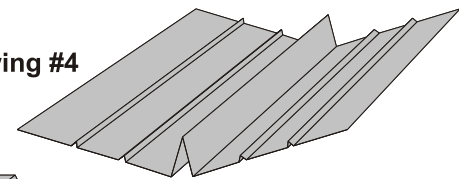
Drawing #2



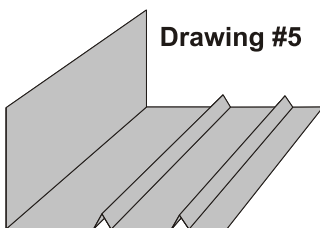
Drawing #3



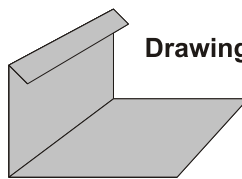
Drawing #4



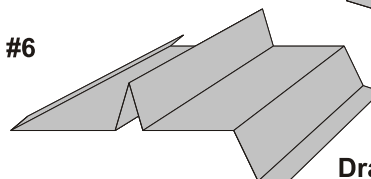
Drawing #5



Drawing #6

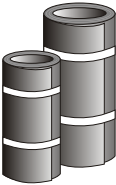


Drawing #7



GALVANIZED ROLL VALLEY FLASHING

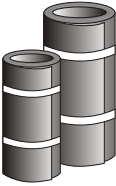
Used primarily to provide improved water shed in valleys formed at roof junctions. May also be used at many other places on roofs. Additional uses include jobsite forming of special trim items. Painted roll valley - call for sizes & pricing

LENGTH	WIDTH	QTY PER PALLET
10' 	4"	100
	6"	100
	8"	100
	10"	100
	12"	50
	14"	50
	16"	50
	18"	50
	20"	50
	24"	50
	30"	50
	36"	50

ECONO GA	
ITEM ID	UNIT PRICE
RF410B	\$ 4.70
RF610B	\$ 7.00
RF810B	\$ 9.35
RF1010B	\$ 11.60
RF1210B	\$ 13.95
RF1410B	\$ 16.25
RF1610B	\$ 18.60
RF1810B	\$ 20.95
RF2010B	\$ 23.20
RF2410B	\$ 27.85
RF3010B	\$ 34.85
RF3610B	\$ 41.75

STANDARD GA	
ITEM ID	UNIT PRICE
RF410	\$ 5.20
RF610	\$ 7.75
RF810	\$ 10.35
RF1010	\$ 12.90
RF1210	\$ 15.45
RF1410	\$ 18.05
RF1610	\$ 20.75
RF1810	\$ 23.20
RF2010	\$ 25.75
RF2410	\$ 30.90
RF3010	\$ 38.60
RF3610	\$ 46.30

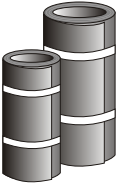
26 GA	
ITEM ID	UNIT PRICE
RF410H	\$ 7.75
RF610H	\$ 11.55
RF810H	\$ 15.45
RF1010H	\$ 19.25
RF1210H	\$ 23.05
RF1410H	\$ 26.90
RF1610H	\$ 30.95
RF1810H	\$ 34.60
RF2010H	\$ 38.40
RF2410H	\$ 46.05
RF3010H	\$ 57.55
RF3610H	\$ 69.00

LENGTH	WIDTH	QTY PER PALLET
25' 	4"	100
	6"	100
	8"	100
	10"	100
	12"	50
	14"	50
	16"	50
	18"	50
	20"	50
	24"	50
	30"	50
	36"	50

ECONO GA	
ITEM ID	UNIT PRICE
RF425B	\$ 10.10
RF625B	\$ 15.05
RF825B	\$ 20.10
RF1025B	\$ 25.10
RF1225B	\$ 30.05
RF1425B	\$ 35.05
RF1625B	\$ 40.05
RF1825B	\$ 45.10
RF2025B	\$ 50.10
RF2425B	\$ 60.00
RF3025B	\$ 75.10
RF3625B	\$ 90.05

STANDARD GA	
ITEM ID	UNIT PRICE
RF425	\$ 11.20
RF625	\$ 16.70
RF825	\$ 22.30
RF1025	\$ 27.85
RF1225	\$ 33.40
RF1425	\$ 38.95
RF1625	\$ 44.45
RF1825	\$ 50.00
RF2025	\$ 55.55
RF2425	\$ 66.65
RF3025	\$ 83.35
RF3625	\$ 100.00

26 GA	
ITEM ID	UNIT PRICE
RF425H	\$ 16.70
RF625H	\$ 24.90
RF825H	\$ 33.25
RF1025H	\$ 41.50
RF1225H	\$ 49.80
RF1425H	\$ 58.05
RF1625H	\$ 66.25
RF1825H	\$ 74.50
RF2025H	\$ 82.80
RF2425H	\$ 99.35
RF3025H	\$ 124.20
RF3625H	\$ 149.00

LENGTH	WIDTH	QTY PER PALLET
50' 	4"	100
	6"	100
	8"	100
	10"	100
	12"	50
	14"	50
	16"	50
	18"	50
	20"	50
	24"	50
	30"	50
	36"	50

ECONO GA	
ITEM ID	UNIT PRICE
RF450B	\$ 17.00
RF650B	\$ 25.45
RF850B	\$ 33.90
RF1050B	\$ 42.35
RF1250B	\$ 50.95
RF1450B	\$ 58.60
RF1650B	\$ 67.60
RF1850B	\$ 75.40
RF2050B	\$ 83.95
RF2450B	\$ 99.10
RF3050B	\$ 124.65
RF3650B	\$ 149.70

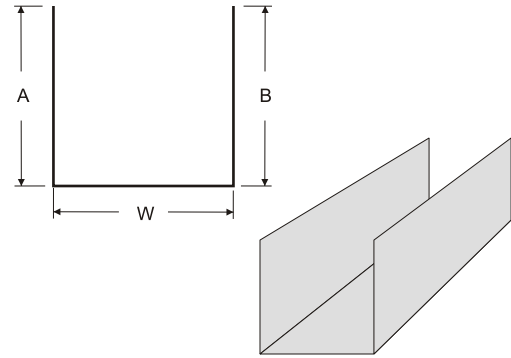
STANDARD GA	
ITEM ID	UNIT PRICE
RF450	\$ 18.90
RF650	\$ 28.30
RF850	\$ 37.70
RF1050	\$ 47.05
RF1250	\$ 56.50
RF1450	\$ 65.85
RF1650	\$ 75.30
RF1850	\$ 84.70
RF2050	\$ 94.05
RF2450	\$ 112.90
RF3050	\$ 141.10
RF3650	\$ 169.05

26 GA	
ITEM ID	UNIT PRICE
RF450H	\$ 28.20
RF650H	\$ 42.20
RF850H	\$ 56.20
RF1050H	\$ 70.15
RF1250H	\$ 84.20
RF1450H	\$ 98.15
RF1650H	\$ 112.20
RF1850H	\$ 126.25
RF2050H	\$ 140.15
RF2450H	\$ 168.25
RF3050H	\$ 210.25
RF3650H	\$ 251.90

BUCKET FLASHING 10' LENGTH 25/BDL

Utility flash with a variety of uses.

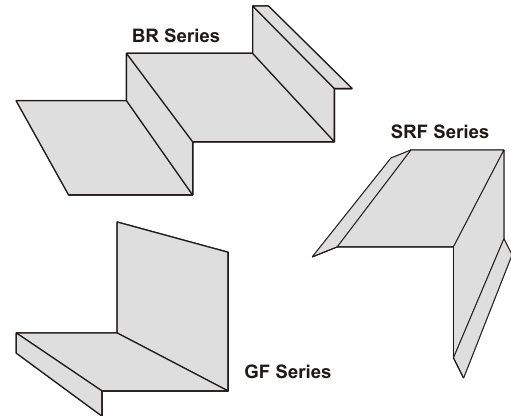
DESCRIPTION	A	W	B	GIRTH	STD GALV	PAINTED	26 GA
3-1/2" x 5" x 3-1/2" Bucket "U" Flashing	3-1/2"	5"	3-1/2"	12"	BUC3125312	NA	SO
					\$ 21.15		\$ 33.50
4" x 4" x 4" Bucket "U" Flashing	4"	4"	4"	12"	BUC1044	NA	SO
					\$ 21.15		\$ 33.50
4" x 5" x 6" Bucket "U" Flashing	4"	5"	6"	15"	BUC456	NA	SO
					\$ 26.50		\$ 41.90
6" x 6" x 6" Bucket "U" Flashing	6"	6"	6"	18"	BUC1066	NA	SO
					\$ 31.65		\$ 50.00



SPECIALTY FLASHING 10' LENGTH 25/BDL

Specialized Items which are useful in securing a watertight construction. Examples of the many unique parts available.

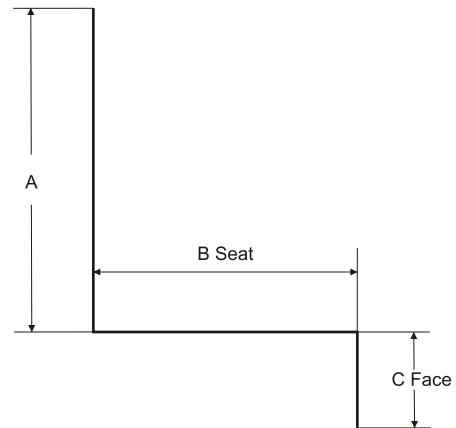
DESCRIPTION	FACE	KICKS/OFFSETS	DECK	GIRTH	STD GALV	PAINTED	26 GA
Shingle Ridge Flash for sloped roof to vertical wall use	3-1/2"	1"	5"	9"	SRF312	SRF312P	SO
					\$ 12.15	\$ 14.85	\$ 19.20
Brick Flash Double offset to insure water penetration does not occur	3-1/2"	1-1/2"	4"	11"	BR314114	NA	SO
					\$ 22.35		\$ 35.35
Garage Flash used to flash around garage doors to insure dryness	4"	1/2"	2-1/2"	7"	GF425	NA	SO
					\$ 11.75		\$ 18.60



STEEL WINDOW FLASHING 10' LENGTH - 25/BDL

Galvanized Window Flashing provides an inexpensive and easy to install method of stopping water penetration behind siding. Horizontal shelf is sloped 5-7 degrees toward outside wall. See also our Xtreme Trim™ for our best window flashing product.

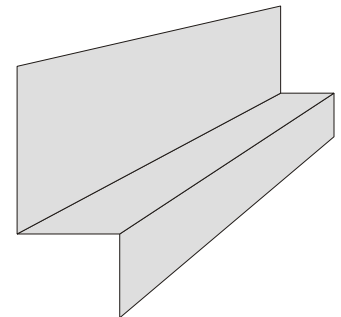
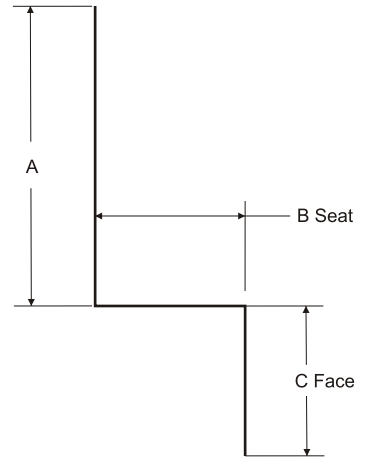
DESCRIPTION	A	B	C	GIRTH	STD GALV	PAINTED	26 GA
1/2" x 1/2" x 2" Window Flashing	2-1/8"	1/2"	3/8"	3"	WF105	SO	SO
					\$ 5.50	\$ 8.90	\$ 8.70
1-1/2" x 3/4" x 3/4" Window Flashing	1-1/2"	3/4"	3/4"	3"	WF343412	NA	NA
					\$ 5.50		
3/8" x 1-1/2" x 1-1/8" Window Flashing	1-1/8"	1-1/2"	3/8"	3"	WF38	SO	SO
					\$ 5.50	\$ 8.90	\$ 8.70
1/2" x 1-1/2" x 1-1/2" Window Flashing	1-5/8"	1-1/2"	3/8"	3-1/2"	WF106	SO	SO
					\$ 6.40	\$ 10.30	\$ 10.15
2" x 1-1/4" x 1/2" Window Flashing	2-1/8"	1-1/4"	3/8"	3-3/4"	WF10	SO	SO
					\$ 6.85	\$ 11.00	\$ 10.85
1/2" x 2" x 1-3/4" Window Flashing	2-1/8"	1-1/2"	3/8"	4"	WF134	NA	NA
					\$ 7.30		
1/4" x 1-1/2" x 2-1/4" Window Flashing	2-1/8"	1-1/2"	3/8"	4"	WF102	NA	NA
					\$ 7.30		
1/2" x 1-1/2" x 2" Window Flashing	2-1/8"	1-1/2"	3/8"	4"	WF103	SO	SO
					\$ 7.30	\$ 11.75	\$ 11.55
3/4" x 1-3/4" x 1-3/4" Window Flashing	1-3/4"	1-3/4"	3/4"	4-1/4"	WF104	NA	NA
					\$ 7.75		
1/2" x 2-1/2" x 2" Window Flashing	2"	2-1/2"	1/2"	5"	WF212	NA	NA
					\$ 9.10		
1/2" x 1-1/2" x 6" Window Flashing	6"	1-1/2"	1/2"	8"	WF126	NA	NA
					\$ 14.60		
8" x 3/4" x 1/2" Window Flashing	8"	3/4"	1/2"	9-1/2"	WF834	NA	NA
					\$ 16.95		



STEEL "Z" FLASHING GALVANIZED STEEL 10' LENGTH - 25 PCS/BDL except where noted.

Z Bar Flashing provides an inexpensive and easy to install method of stopping water penetration behind siding. See also our Xtreme Trim™ for our best z-bar flashing product.

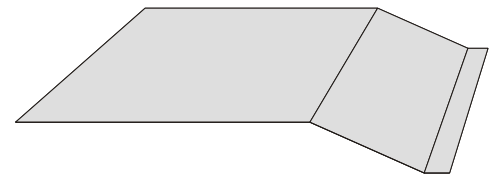
DESCRIPTION	A	B	C	GIRTH	BLDR GALV	STD GALV	PAINTED	26 GA
1/2" x 5/16" x 1-3/16" Z Flashing 50 pcs/bdl	1-5/16"	5/16"	3/8"	2"	ZB516B	ZB516	SO	SO
					\$ 3.60	\$ 4.25	\$ 6.85	\$ 6.75
1/2" x 3/8" x 1-1/8" Z Flashing 50 pcs/bdl	1-1/4"	3/8"	3/8"	2"	ZB38B	ZB38	SO	SO
					\$ 3.60	\$ 4.25	\$ 6.85	\$ 6.75
1/2" x 7/16" x 1-1/16" Z Flashing 50 pcs/bdl	1-3/16"	7/16"	3/8"	2"	ZB716B	ZB716	SO	SO
					\$ 3.60	\$ 4.25	\$ 6.85	\$ 6.75
1/2" x 1/2" x 1" Z Flashing 50 pcs/bdl	1-1/8"	1/2"	3/8"	2"	ZB12B	ZB12	SO	SO
					\$ 3.60	\$ 4.25	\$ 6.85	\$ 6.75
1/2" x 5/8" x 7/8" Z Flashing 50 pcs/bdl	1"	5/8"	3/8"	2"	ZB58B	ZB58	SO	SO
					\$ 3.60	\$ 4.25	\$ 6.85	\$ 6.75
1/2" x 3/4" x 3/4" Z Flashing 50 pcs/bdl	7/8"	3/4"	3/8"	2"	ZB34B	ZB34	SO	SO
					\$ 3.60	\$ 4.25	\$ 6.85	\$ 6.75
1/2" x 3/8" x 2" Z Flashing	2-1/8"	3/8"	3/8"	3"	ZB23858B	ZB23858	SO	SO
					\$ 3.60	\$ 5.50	\$ 7.60	\$ 7.45
1/2" x 7/16" x 2" Z Flashing	2-1/8"	7/16"	3/8"	3"	ZB2716B	ZB2716	SO	SO
					\$ 4.65	\$ 5.50	\$ 8.90	\$ 8.70
1/2" x 1/2" x 2" Z Flashing	2-1/8"	1/2"	3/8"	3"	ZB212B	ZB212	SO	SO
					\$ 4.65	\$ 5.50	\$ 8.90	\$ 8.70
2" x 5/8" x 3/8" Z Flashing	2"	5/8"	3/8"	3"	ZB25838B	ZB25838	SO	SO
					\$ 4.65	\$ 5.50	\$ 8.90	\$ 8.70
1/2" x 3/4" x 2-1/4" Z Flashing	2-1/8"	3/4"	3/8"	3-1/2"	SO	ZB34214	SO	SO
						\$ 7.00	\$ 10.30	\$ 10.15
5" x 5-1/2" x 1-1/2" Z Flashing	5"	5-1/2"	1-1/2"	12"	NA	ZB5512112	SO	SO
						\$ 27.25	\$ 43.90	\$ 43.00
5" x 5" x 5" Z Flashing	5"	5"	5"	15"	NA	ZB555	SO	ZB555H
						\$ 33.70	\$ 54.30	\$ 40.45



STYLE "TF" TERMITE SHIELD 10' LENGTH 25/BDL

Provides protection on ledgers, joists, etc by forcing termites to build visible channels.

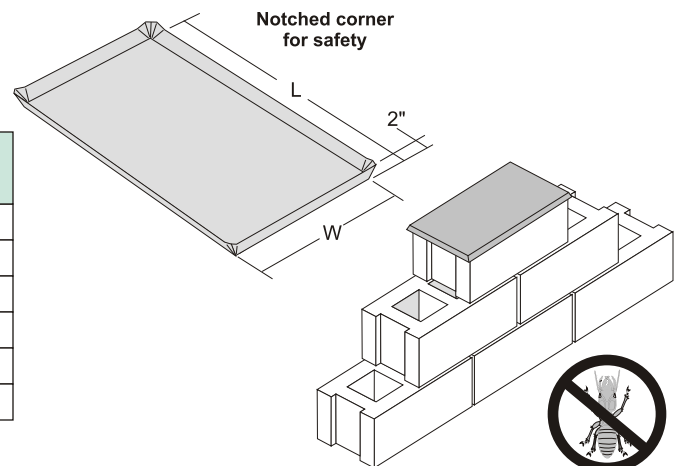
DESCRIPTION	FACE	ON JOIST	GIRTH	STD GALV	26 GA
2" x 4" Termite Shield - 10 Ft	2"	4"	6"	TF2060	SO
				\$ 8.85	\$ 14.00
3" x 5" Termite Shield - 10 Ft	3"	5"	8"	TF3080	SO
				\$ 12.00	\$ 19.00

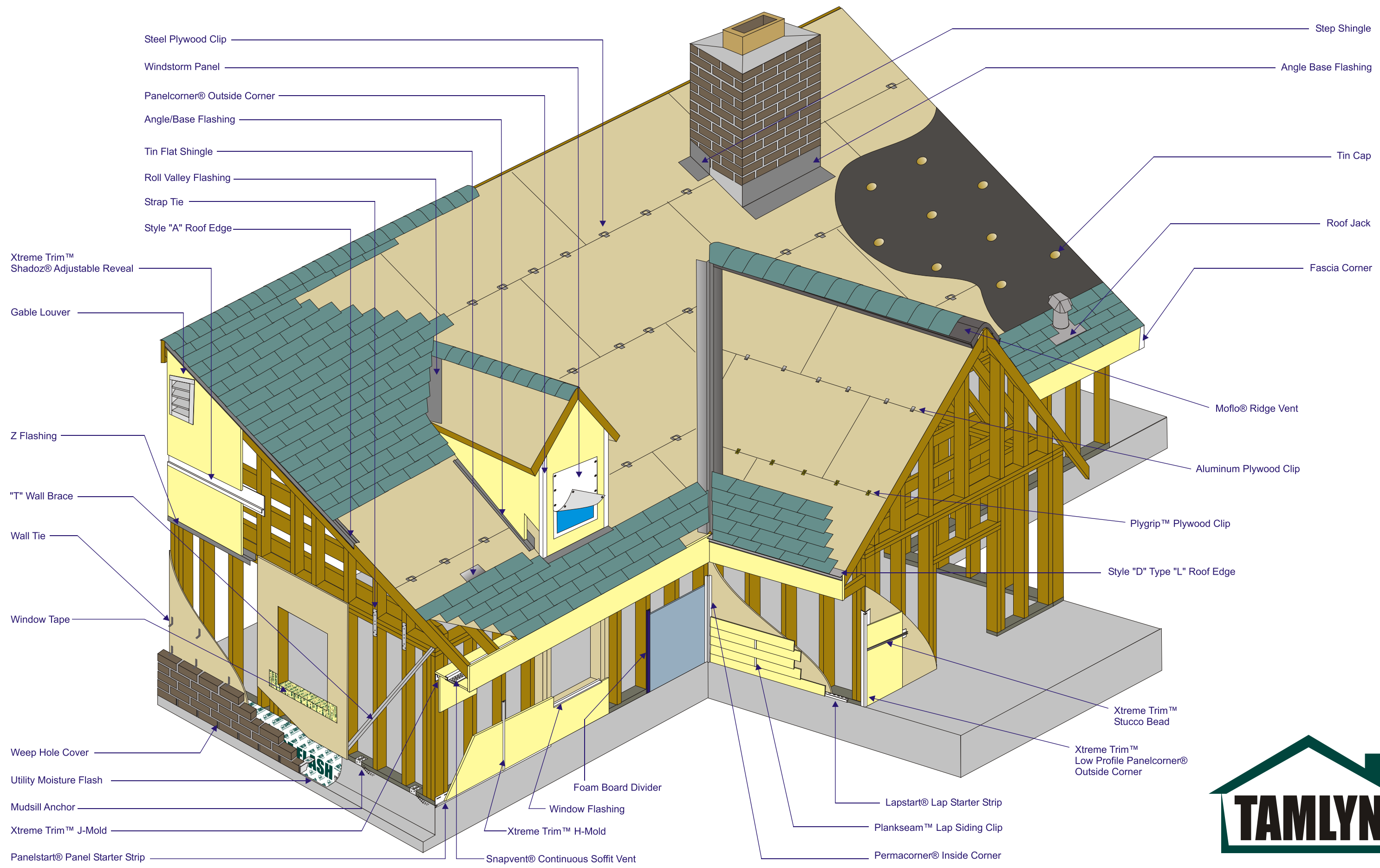


TERMITE SHIELD/PIER CAP 25/BDL

Versatile pan has many contractor/home uses, including termite shield, pier cap, vaporizer pan, pot holder, oil drain pan, AC condensation drip pan in attic or to hold runoff while stripping furniture. Termite Shield doesn't totally eliminate termite infestation, but forces them to build easily visible channels.

DESCRIPTION	BLOCK OR POST SIZE	ACTUAL INSIDE SIZE	PACK	BLDR GALV	STD GALV
8" x 8" Termite Shield	8" x 8" or smaller	8" x 8"	25/BDL	TS88	TS88S
				\$ 65.25	\$ 78.15
9" x 17" Termite Shield	8" x 16" or smaller	9" x 17"	25/BDL	TS917	TS917S
				\$ 88.85	\$ 105.75
17" x 17" Termite Shield	16" x 16" or smaller	17" x 17"	25/BDL	TS1717	TS1717S
				\$ 196.60	\$ 234.10

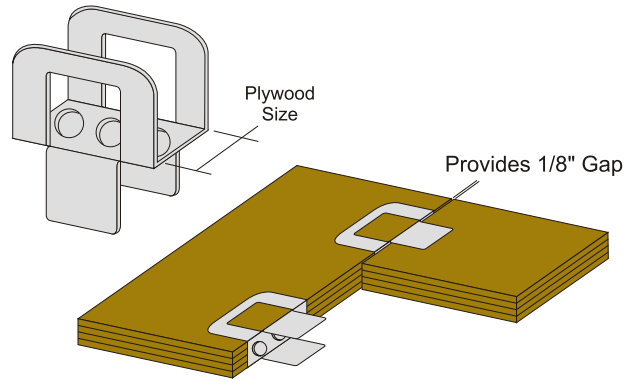




STEEL PLYWOOD CLIPS

For quick, easy installation between plywood panels for roof sheathing or panelized construction .. provide structural support .. reduce normal plywood deflection between panels .. embossed dimples/built-in spacer type feature provide APA recommended 1/8" gap.

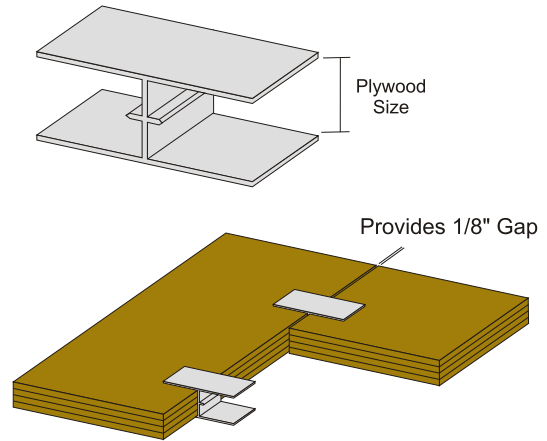
ITEM ID	DESCRIPTION	SIZE	PACK	PER CTN.
PCS716	7/16" Steel Plyclips 250/Box	7/16"	250	\$ 12.95
PCS1532	15/32" Steel Plyclips 250/Box	15/32"	250	\$ 12.95
PCS12	1/2" Steel Plyclips 250/Box	1/2"	250	\$ 12.95
PCS1932	19/32" Steel Plyclips 250/Box	19/32"	250	\$ 17.05
PCS58	5/8" Steel Plyclips 250/Box	5/8"	250	\$ 17.05
PCS2332	23/32" Steel Plyclips 250/Box	23/32"	250	\$ 17.05
PCS34	3/4" Steel Plyclips 250/Box	3/4"	250	\$ 17.05



ALUMINUM PLYWOOD CLIPS

For quick, easy installation between plywood panels for roof sheathing or panelized construction .. provide structural support .. reduce normal plywood deflection between panels .. built-in spacer type feature provide APA recommended 1/8" gap.

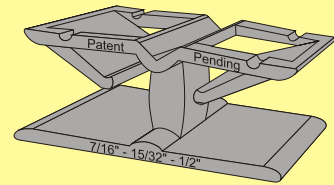
ITEM ID	DESCRIPTION	SIZE	PACK	PER CTN.
PC38	3/8" Alum. Plyclips 250/Box	3/8"	250	\$ 19.20
PC38MP	3/8" Alum. Plyclips 250/Box and 8bx/ctn	3/8"	8 @ 250/PK	\$ 151.85
PC716	7/16" Alum. PlyClips 250/Box	7/16"	250	\$ 19.20
PC716MP	7/16" Alum. Plyclips 250/Box and 8bx/ctn	7/16"	8 @ 250/PK	\$ 151.85
PC12	1/2" Alum. Plyclips 250/Box	1/2"	250	\$ 17.30
PC12MP	1/2" Alum. Plyclips 250/Box and 8bx/ctn	1/2"	8 @ 250/PK	\$ 138.00
PC1532	15/32" Alum. PlyClips 250/Box	15/32"	250	\$ 17.30
PC1532MP	15/32" Alum. Plyclips 250/Box and 8bx/ctn	15/32"	8 @ 250/PK	\$ 138.00
PC58	5/8" Alum. PlyClips 250/Box	5/8"	250	\$ 25.05
PC58MP	5/8" Alum. Plyclips 250/Box and 8bx/ctn	5/8"	8 @ 250/PK	\$ 200.00
PC34	3/4" Alum. PlyClips 250/Box	3/4"	250	\$ 27.55
PC34MP	3/4" Alum. Plyclips 250/Box and 8bx/ctn	3/4"	8 @ 250/PK	\$ 219.70



PLYGRIP™ PLYWOOD CLIPS

For quick, easy installation between plywood panels for roof sheathing or panelized construction, **WIDER GAP MEANS LESS BUCKLING**, reduce normal plywood deflection between panels, built-in spacer type feature **EXCEEDS MINIMUM APA recommended 1/8" gap**, provide structural support.

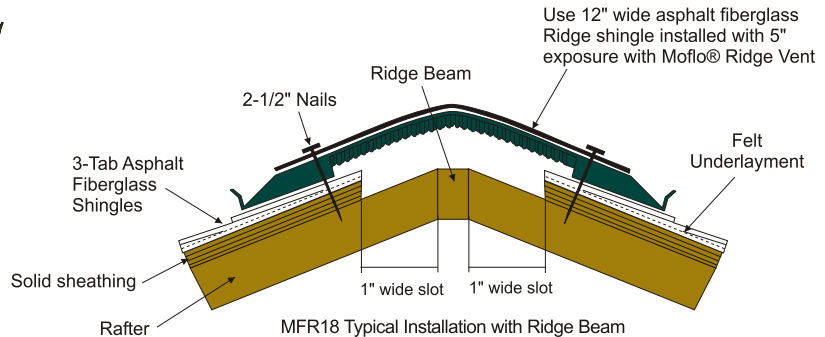
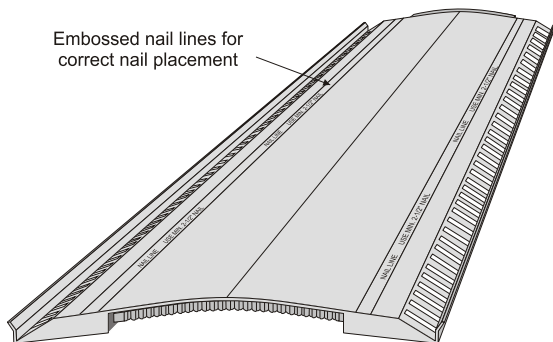
ITEM ID	DESCRIPTION	SIZE	PACK	PER CTN.
PCG	7/16", 15/32" 1/2" PlyGrip™ Plyclips 250/Bag	Universal	250	\$ 30.00
PCGMP	7/16", 15/32" 1/2" PlyGrip™ Plyclips 250/Bag	Universal	8 @ 250/PK	\$ 240.00



MOFLO® RIDGE VENT, 10 PC/BOX 12 BXS / PLT

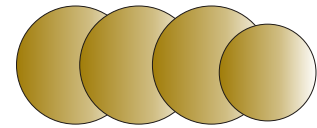
Installed on the ridge of the roof to provide optimum level of air flow. 18 inches of net free air per lineal foot for a total of 72 inches per piece. All polypropylene construction means longer life and greater hail resistance.

ITEM ID	PER PIECE	PER PC FOR 1 PLT	PER PC FOR 7 PLT	PER PC FOR 14 PLT	PER PC FOR 20 PLT	PER PC FOR 26 PLT
PACK	EACH	120 PCS	840 PCS	1680 PCS	2880 PCS	5760 PCS
MFR18	\$ 19.55	\$ 18.00	\$ 16.50	\$ 15.00	\$ 14.25	\$ 13.50



TIN CAPS 50 LBS / CTN. For installing felt to decking to prevent nail pull thru.

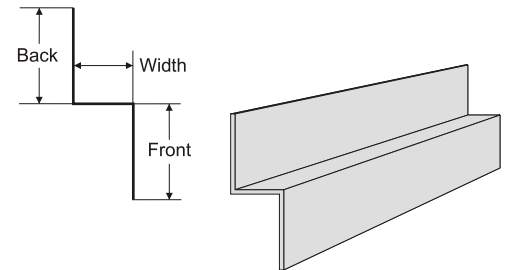
ITEM ID	DESCRIPTION	PACK	PER CTN	PER CTN / FULL SKID
TCMG	Medium Gold Tin Caps - approx 1-3/4" Diameter	48/SKID	\$ 135.85	\$ 116.15
TCLG	Large Gold Tin Caps - approx 2-1/4" Diameter	48/SKID	\$ 135.85	\$ 116.15



EXTRUDED ALUMINUM "Z" BAR FLASHING 8' LENGTH - 100 PCS/BDL

Utilized when higher corrosion resistance and rigidity are needed.

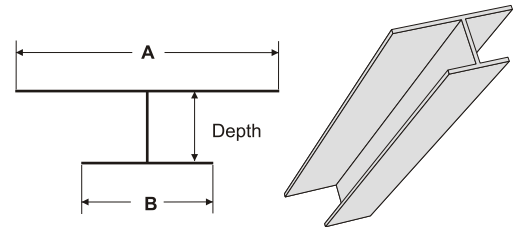
ITEM ID	DESCRIPTION	FRONT	WIDTH	BACK	UNIT PRICE	PC PRICE
ZB516A	5/16" Alumimun Z Bar	1/2"	5/16"	1/2"	\$ 1,377.15	\$ 13.77
ZB516APC	5/16" Alumimun Z Bar	1/2"	5/16"	1/2"		\$ 18.40
ZB716A	7/16" Alumimun Z Bar	1/2"	7/16"	1/2"	\$ 1,377.15	\$ 13.77
ZB716APC	5/8" Alumimun Z Bar	1/2"	7/16"	1/2"		\$ 18.40
ZB58A	7/16" Alumimun Z Bar	1/2"	5/8"	1/2"	\$ 1,377.15	\$ 13.77
ZB58APC	5/8" Alumimun Z Bar	1/2"	5/8"	1/2"		\$ 18.40



EXTRUDED ALUMINUM H-MOLD 12' LENGTH - MILL FINISH 50 PCS/BDL

Common uses include joining panels and soffit where high rigidity is needed.

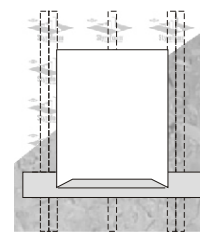
ITEM ID	DESCRIPTION	DEPTH	"A"	"B"	UNIT PRICE	PC PRICE
HM38A	3/8" x 12' Aluminum H Mold	3/8"	1-3/8"	11/16"	\$ 675.00	\$ 13.50
HM38APC	3/8" x 12' Aluminum H Mold	3/8"	1-3/8"	11/16"		\$ 18.00
HM716A	7/16" x 12' Aluminum H Mold	7/16"	1-3/8"	11/16"	\$ 1,031.50	\$ 20.63
HM716APC	7/16" x 12' Aluminum H Mold	7/16"	1-3/8"	11/16"		\$ 27.55



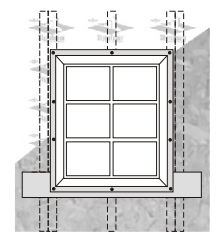
TAMLYN WINDOW TAPE 25 OR 40 MIL - 56 CTN. / PALLET

Self adhering, self-sealing tape made with rubberized asphalt waterproofing coating, laminated to a polyethylene film. The coating is supplied in rolls, with an easy to remove film release liner.

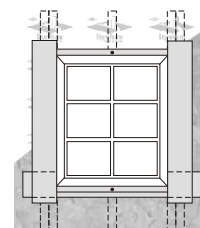
ITEM ID	DESCRIPTION	LF / CTN	ROLLS / CTN	PER CTN	PER CTN FULL PALLET
WS25-4	4" x 75' Window Tape 25 mil	675	9	\$ 192.20	\$ 180.00
WS25-6	6" x 75' Window Tape 25 mil	450	6	\$ 192.20	\$ 180.00
WS25-9	9" x 75' Window Tape 25 mil	300	4	\$ 192.20	\$ 180.00
WS25-12	12" x 75' Window Tape 25 mil	225	3	\$ 192.20	\$ 180.00
WS25-18	18" x 75' 75' Window Tape 25 mil	150	2	\$ 192.20	\$ 180.00
WS40-4	4" x 75' Window Tape 40 mil	675	9	\$ 294.30	\$ 280.00
WS40-6	6" x 75' Window Tape 40 mil	450	6	\$ 294.30	\$ 280.00
WS40-9	9" x 75' Window Tape 40 mil	300	4	\$ 294.30	\$ 280.00
WS40-12	12" x 75' Window Tape 40 mil	225	3	\$ 294.30	\$ 280.00
WS40-18	18" x 75' Window Tape 40 mil	150	2	\$ 294.30	\$ 280.00



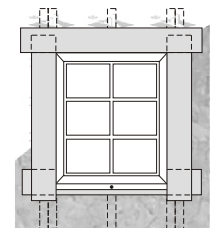
Step 1 - Install horizontal strip on sill



Step 2 - Set window frame



Step 3 - Adhere vertical strips to jam flanges and sheathing



Step 4 - Adhere horizontal strip to head flange and sheathing. Roll all the tape surfaces with a hand held roller

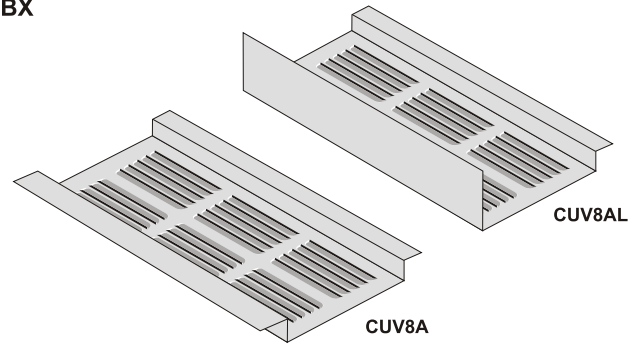
PEEL 'N STICK CONSTRUCTION TAPE - 56 CTN. / PALLET

Self adhering, self-sealing tape made with rubberized asphalt waterproofing coating, laminated to a polyethylene film. One side also has an aluminum coating. The coating is supplied in rolls, with an easy to remove film release liner. Call for pricing and availability.

CONTINUOUS SOFFIT VENTS 2" x 8' ALUMINUM LOUVERED - 50/BX

Provides a continuous under soffit air flow to provide superior ventilation.

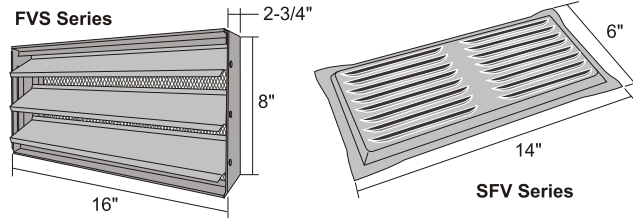
ITEM ID	DESCRIPTION	SIZE	LENGTH	PER CTN	PER PC
CUV8A50	8' Alum. Louvered Continuous Soffit Vent - Mill	2"	8'	\$ 321.75	\$ 6.44
CUV8APC		2"	8'		\$ 8.60
CUV8A50W	8' Alum. Louvered Continuous Soffit Vent - White	2"	8'	\$ 358.10	\$ 7.16
CUV8AWPC		2"	8'		\$ 9.60
CUV8A50B	8' Alum. Louvered Continuous Soffit Vent - Brown	2"	8'	\$ 358.10	\$ 7.16
CUV8ABPC		2"	8'		\$ 9.60
CUV8AL	8' Alum. Louvered Continuous Soffit Vent Strt Leg - Mill	2"	8'	\$ 321.75	\$ 6.44
CUV8ALPC		2"	8'		\$ 8.60



FOUNDATION VENTS

Provide a method to remove moisture that can lead to damp rot. Stamped model is ideal for use with stucco wall applications. SOLD IN CARTONS ONLY

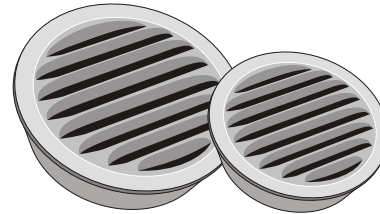
ITEM ID	DESCRIPTION	PACK	PER CTN	PER PC
SFV146	14" X 6" Stamped Galv. Vent, 7/8" Reveal	12/ctn	\$ 81.00	\$ 6.75
SFV146S	14" X 6" Stamped Galv. Vent with Screen, 7/8" Reveal	12/ctn	\$ 81.00	\$ 6.75
FVS168	16" x 8" Louvered Galv. Vent w/Screen	12/ctn	\$ 162.00	\$ 13.50



ALUMINUM MINI CIRCLE VENTS

Provides an outlet for air movement in confined spaces. Flush design allows tap-in installation.

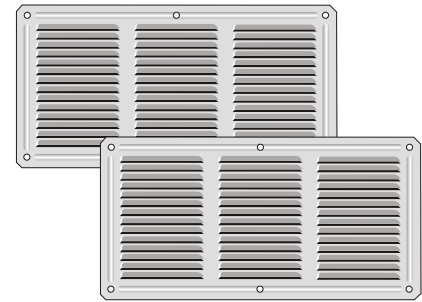
ITEM ID	DESCRIPTION	PACK	PER BAG	PER PC
CLV1	1" Circle Louver	6/bag	\$ 11.40	\$ 1.90
CLV2	2" Circle Louver	6/bag	\$ 12.00	\$ 2.00
CLV3	3" Circle Louver	6/bag	\$ 14.70	\$ 2.40
CLV4	4" Circle Louver	6/bag	\$ 18.60	\$ 3.10



ALUMINUM SOFFIT VENTS

Vent opening designed to keep out insects and weather while providing proper wall or under eave ventilation.

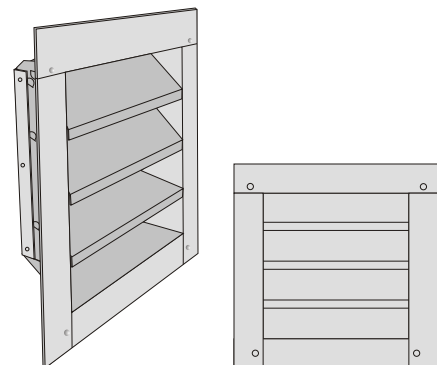
ITEM ID	DESCRIPTION	PACK	PER CTN	PER PC/CTN	ITEM ID	PER PC
CV416VA24	4x16 Aluminum Soffit Vent	24	\$ 46.10	\$ 1.92	CV416VA24PC	\$ 2.60
CV416W24	4x16 Aluminum Soffit Vent White	24	\$ 56.20	\$ 2.34	CV416W24PC	\$ 3.15
CV416BRN	4x16 Aluminum Soffit Vent Brown	24	\$ 56.20	\$ 2.34	CV416BRNPC	\$ 3.15
CV616VA	6x16 Aluminum Soffit Vent	12	\$ 34.80	\$ 2.90	CV616VAPC	\$ 3.90
CV616W	6x16 Aluminum Soffit Vent White	12	\$ 39.40	\$ 3.28	CV616WPC	\$ 4.40
CV616BRN	6x16 Aluminum Soffit Vent Brown	12	\$ 39.40	\$ 3.28	CV616BRNPC	\$ 4.40
CV816VA	8x16 Aluminum Soffit Vent	12	\$ 36.50	\$ 3.04	CV816VAPC	\$ 4.40
CV816W	8x16 Aluminum Soffit Vent White	12	\$ 41.55	\$ 3.46	CV816WPC	\$ 4.65
CV816BRN	8x16 Aluminum Soffit Vent Brown	12	\$ 41.55	\$ 3.46	CV816BRNPC	\$ 4.65



ALUMINUM GABLE LOUVERS

Installed in the gable end of the attic. The higher placed, the more effective they become. Not preferred for ventilating an attic, because of limited airflow under the roof deck, resulting in "hot spots." Can be used where ridge vents are impractical, or where the homeowner doesn't want roof vents.

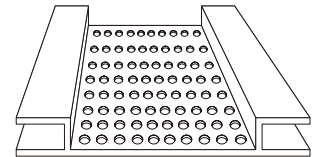
ITEM ID	DESCRIPTION	PACK	PER CTN	PER PC/CTN	ITEM ID	PER PC
ASA0808	8" x 8" Mill Aluminum Gable Louvers	6	\$ 67.50	\$ 11.25	ASA0808PC	\$ 17.85
ASA1212	12" x 12" Mill Aluminum Gable Louvers	6	\$ 151.80	\$ 25.30	ASA1212PC	\$ 33.75
ASA1218	12" x 18" Mill Aluminum Gable Louvers	6	\$ 182.15	\$ 30.36	ASA1218PC	\$ 40.50
ASA1418	14" x 18" Mill Aluminum Gable Louvers	6	\$ 175.20	\$ 29.20	ASA1418PC	\$ 39.00
ASA1424	14" x 24" Mill Aluminum Gable Louvers	6	\$ 232.65	\$ 38.78	ASA1424PC	\$ 51.75
ASA1824	18" x 24" Mill Aluminum Gable Louvers	2	\$ 95.35	\$ 47.68	ASA1824PC	\$ 63.60
ASA2430	24" x 30" Mill Aluminum Gable Louvers	2	\$ 135.80	\$ 67.90	ASA2430PC	\$ 89.00



SNAPVENT® CONTINUOUS VINYL SOFFIT VENT

Snapvent® is ideal for mid-soffit use where clean edges are a must. Most framer friendly product because it can be "snapped" into place. Covers edges of soffit for better look. Provides excellent airflow.

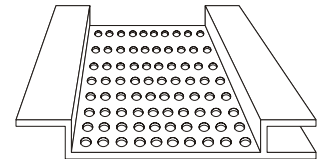
ITEM ID	DESCRIPTION	PACK	LENGTH	FT/BX	PRICE/BX	PER PC/BX	ITEM ID	PRICE/PC
SV1412-40	1/4" x 12' Snapvent®	40	12'	480	\$ 669.10	\$ 16.70	SV1412PC	\$ 22.35
SV148-40	1/4" x 8' Snapvent®	40	8'	320	\$ 364.00	\$ 9.10	SV148PC	\$ 12.15
SV51612-40	5/16" x 12' Snapvent®	40	12'	480	\$ 669.10	\$ 16.70	SV51612PC	\$ 22.35
SV5168-40	5/16" x 8' Snapvent®	40	8'	320	\$ 414.45	\$ 10.35	SV5168PC	\$ 13.85
SV388-40	3/8" x 8' Snapvent®	40	8'	320	\$ 414.45	\$ 10.35	SV388PC	\$ 13.85
SV7168-40	7/16" x 8' Snapvent®	40	8'	320	\$ 414.45	\$ 10.35	SV7168PC	\$ 13.85
SV128-40	1/2" x 8' Snapvent®	40	8'	320	\$ 510.55	\$ 12.75	SV128PC	\$ 17.05
SV348-20	3/4" x 8' Snapvent®	20	8'	160	\$ 297.30	\$ 14.85	SV348PC	\$ 19.85
SV143-40	1/4" x 8' Wide Snapvent®	40	8'	320	\$ 660.70	\$ 16.50	SV143PC	\$ 22.05
SV51638-25	5/16" x 8' Wide Snapvent®	25	8'	300	\$ 431.25	\$ 17.25	SV51638PC	\$ 24.60
SV58312-20	5/8" x 12' Wide Snapvent®	20	12'	240	\$ 591.00	\$ 29.55	SV58312PC	\$ 39.45
SV5838-20	5/8" x 8' Wide Snapvent®	20	8'	160	\$ 394.00	\$ 19.70	SV5838PC	\$ 26.30



EZVENT® CONTINUOUS VINYL SOFFIT VENT

Most framer friendly product. Commonly used at frieze-soffit connection. Covers edges of soffit for better look. Provides excellent airflow.

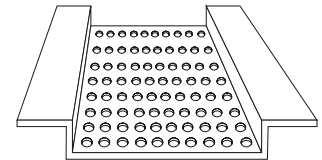
ITEM ID	DESCRIPTION	PACK	LENGTH	FT/BX	PRICE/BX	PER PC/BX	ITEM ID	PRICE/PC
EZV148-40	1/4" x 8' Ezvent®	40	8'	320	\$ 364.00	\$ 9.10	EZV148PC	\$ 12.15
EZV5168-40	5/16" x 8' Ezvent®	40	8'	320	\$ 414.45	\$ 10.35	EZV5168PC	\$ 13.85
EZV388-40	3/8" x 8' Ezvent®	40	8'	320	\$ 414.45	\$ 10.35	EZV388PC	\$ 13.85
EZV7168-40	7/16" x 8' Ezvent®	40	8'	320	\$ 414.45	\$ 10.35	EZV7168PC	\$ 13.85



HAT SHAPED CONTINUOUS VINYL SOFFIT VENT

3/8" depth works with almost all soffit products. Provides excellent airflow.

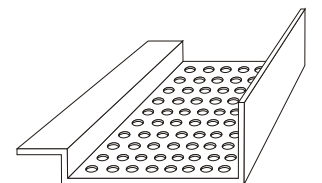
ITEM ID	DESCRIPTION	PACK	LENGTH	FT/BX	PRICE/BX	PER PC/BX	ITEM ID	PRICE/PC
CUV8V-50	2" x 8' Hat Shaped Vent	50	8'	400	\$ 297.30	\$ 5.95	CUV8VPC	\$ 7.95
CUV8VW-40	2" x 8' Wide Hat Shaped Vent	40	8'	320	\$ 575.35	\$ 12.90	CUV8VWPC	\$ 17.20



SINGLE LEG VENT™ CONTINUOUS VINYL

3/8" depth works with almost all soffit products. Commonly used at fascia-soffit connection. Provides excellent airflow.

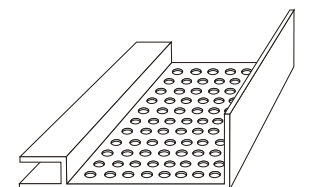
ITEM ID	DESCRIPTION	PACK	LENGTH	FT/BX	PRICE/BX	PER PC/BX	ITEM ID	PRICE/PC
SLV8-40	8' Single Leg Vent™	40	8'	320	\$ 237.85	\$ 5.95	SLV8PC	\$ 7.95



FASCIAGENT™ CONTINUOUS VINYL SOFFIT VENT

A very framer friendly product. Commonly used at frieze soffit connection. Covers edges of soffit for better look. Provides excellent airflow.

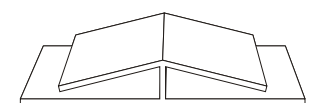
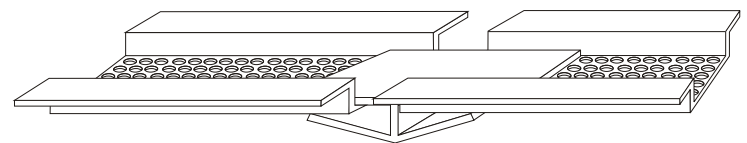
ITEM ID	DESCRIPTION	PACK	LENGTH	FT/BX	PRICE/BX	PER PC/BX	ITEM ID	PRICE/PC
FV148-40	1/4" x 8' Fasciagent™	40	8'	320	\$ 364.00	\$ 9.10	FV148PC	\$ 12.15
FV5168-40	5/16" x 8' Fasciagent™	40	8'	320	\$ 364.00	\$ 9.10	FV5168PC	\$ 12.15



CONTINUOUS SOFFIT VENT CONNECTOR CLIP

Best used with CUV8V Hat Shape Vents. Joins ends of vent for smoother appearance.

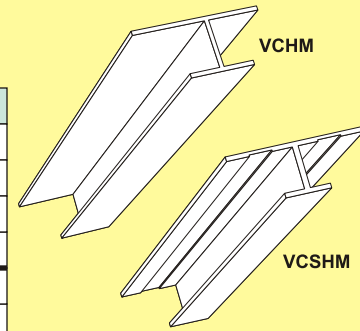
ITEM ID	DESCRIPTION	PACK	LENGTH	PRICE/BX	PER PC/BX	ITEM ID	PRICE/PC
CONNCLIP	1.85" Vinyl Soffit Connector Clip	85	1-13/16"	\$ 89.35	\$ 1.05	CONNCLIPPC	\$ 1.45
CONNCLIP265	2.65" Vinyl Soffit Connector Clip	68	2.65"	\$ 91.90	\$ 1.35	CONNCLIP265PC	\$ 1.85



XTREME TRIM™ H-MOLD

Used to connect continuous soffit vent items, to join fiber cement or hardboard soffit and siding panels, and many other applications. Used when increased rigidity is needed.

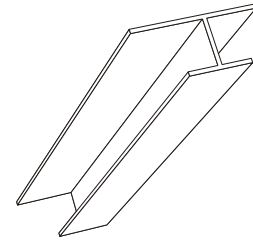
ITEM ID	DESCRIPTION	PACK	LENGTH	FT/BX	PRICE/BX	PER PC/BX	ITEM ID	PRICE/PC
VCHM148-50	1/4" x 8' Xtreme Trim™ Soffit H Mold	50	8'	400	\$ 602.15	\$ 12.05	VCHM148PC	\$ 16.10
VCHM1412-50	1/4" x 12' Xtreme Trim™ Soffit H Mold	50	12'	600	\$ 894.90	\$ 17.90	VCHM1412PC	\$ 23.90
VCHM5168-40	5/16" x 8' Xtreme Trim™ Soffit H Mold	40	8'	320	\$ 518.95	\$ 13.00	VCHM5168PC	\$ 17.35
VCHM51612-40	5/16" x 12' Xtreme Trim™ Soffit H Mold	40	12'	480	\$ 770.00	\$ 19.25	VCHM51612PC	\$ 25.70
VCSHM5168-40	5/16" x 8' Xtreme Trim™ Siding H Mold	40	8'	320	\$ 622.25	\$ 15.55	VCSHM5168PC	\$ 20.75
VCSHM51612-40	5/16" x 12' Xtreme Trim™ Siding H Mold	40	12'	480	\$ 922.55	\$ 23.10	VCSHM51612PC	\$ 30.80



VINYL SOFFIT H-MOLD

Used to connect continuous soffit vent items and many other applications. NOT suitable for use on vertical wall applications.

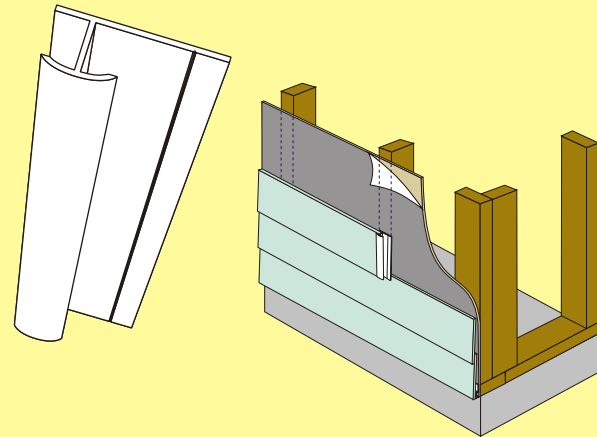
ITEM ID	DESCRIPTION	PACK	LENGTH	FT/BX	PRICE/BX	PER PC/BX	ITEM ID	PRICE/PC
HM1412-50	1/4" x 12' Vinyl Soffit H Mold	50	12'	600	\$ 455.00	\$ 9.10	HM1412PC	\$ 12.15
HM148-50	1/4" x 8' Vinyl Soffit H Mold	50	8'	400	\$ 328.85	\$ 6.60	HM148PC	\$ 8.80
HM51612-40	5/16" x 12' Vinyl Soffit H Mold	40	12'	480	\$ 366.40	\$ 9.15	HM51612PC	\$ 12.25
HM5168-40	5/16" x 8' Vinyl Soffit H Mold	40	8'	320	\$ 283.50	\$ 7.10	HM5168PC	\$ 9.50
HM3812-40	3/8" x 12' Vinyl Soffit H Mold	40	12'	480	\$ 372.40	\$ 9.30	HM3812PC	\$ 12.45
HM5812-20	5/8" x 12' Vinyl Soffit H Mold	20	12'	240	\$ 354.40	\$ 17.75	HM5812PC	\$ 23.65
HM71612-40	7/16" x 12' Vinyl Soffit H Mold	40	12'	480	\$ 378.40	\$ 9.45	HM71612PC	\$ 12.62
HM1212-30	1/2" x 12' Vinyl Soffit H Mold	30	12'	360	\$ 326.15	\$ 10.90	HM1212PC	\$ 14.55



XTREME TRIM™ PLANKSEAM™ LAP SIDING CLIPS

Used to join fiber cement or hardboard siding panels. Individual pre-cut pieces eliminate job-site waste and damage. A superior choice to caulking. SOLD IN CTNS OF 100 ONLY.

ITEM ID	DESCRIPTION	PC/BX	PRICE/BX	PRICE/PC
VCLSC516-525	5/16 X 5.25" Plankseam™ Lap Siding Clips	100	\$ 75.00	\$ 0.75
VCLSC516-6	5/16 X 6" Plankseam™ Lap Siding Clips	100	\$ 85.00	\$ 0.85
VCLSC516-625	5/16 X 6.25" Plankseam™ Lap Siding Clips	100	\$ 90.00	\$ 0.90
VCLSC516-725	5/16 X 7.25" Plankseam™ Lap Siding Clips	100	\$ 100.00	\$ 1.00
VCLSC516-75	5/16 X 7.5" Plankseam™ Lap Siding Clips	100	\$ 110.00	\$ 1.10
VCLSC516-8	5/16 X 8" Plankseam™ Lap Siding Clips	100	\$ 120.00	\$ 1.20
VCLSC516-825	5/16 X 8.25" Plankseam™ Lap Siding Clips	100	\$ 130.00	\$ 1.30
VCLSC516-875	5/16 X 8.75" Plankseam™ Lap Siding Clips	100	\$ 140.00	\$ 1.40
VCLSC516-925	5/16 X 9.25" Plankseam™ Lap Siding Clips	100	\$ 150.00	\$ 1.50
VCLSC516-95	5/16 X 9.5" Plankseam™ Lap Siding Clips	100	\$ 160.00	\$ 1.60
VCLSC516-12	5/16 X 12" Plankseam™ Lap Siding Clips	100	\$ 180.00	\$ 1.80

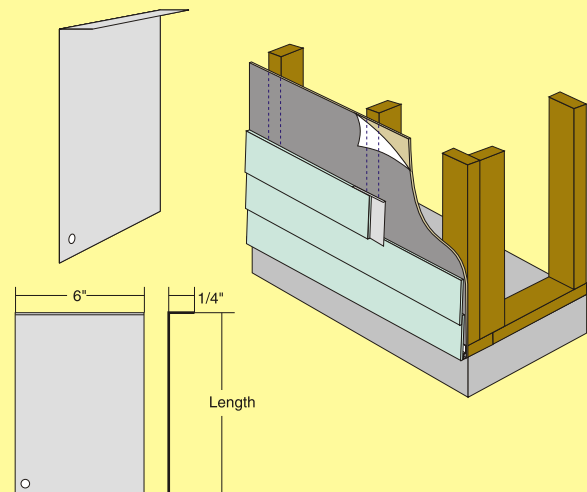


XTREME TRIM™ PLANK FLASH

Use to prevent moisture from penetrating behind the joint where two planks butt together. Pre-cut for quick and easy installation. Conveniently clips to your belt. Coating eliminates any reaction with fiber cement. A superior choice to caulking. SOLD IN CTNS OF 50 ONLY.

Also available in White or Brown

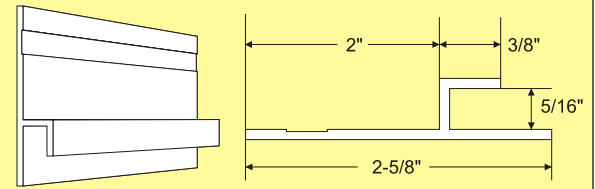
ITEM ID	DESCRIPTION	PC/BX	PRICE/BX	PRICE/PC
VCPF525	5.25" Xtreme Trim™ Plankseam™ Flashing	50	\$ 58.60	\$ 1.18
VCPF625	6.25" Xtreme Trim™ Plankseam™ Flashing	50	\$ 58.60	\$ 1.18
VCPF725	7.25" Xtreme Trim™ Plankseam™ Flashing	50	\$ 58.60	\$ 1.18
VCPF75	7.5" Xtreme Trim™ Plankseam™ Flashing	50	\$ 58.60	\$ 1.18
VCPF8	8" Xtreme Trim™ Plankseam™ Flashing	50	\$ 58.60	\$ 1.18
VCPF825	8.25" Xtreme Trim™ Plankseam™ Flashing	50	\$ 58.60	\$ 1.18
VCPF925	9.25" Xtreme Trim™ Plankseam™ Flashing	50	\$ 58.60	\$ 1.18
VCPF95	9.5" Xtreme Trim™ Plankseam™ Flashing	50	\$ 58.60	\$ 1.18
VCPF12	12" Xtreme Trim™ Plankseam™ Flashing	50	\$ 85.45	\$ 1.72



XTREME TRIM™ SHADOZ® ADJUSTABLE REVEAL

Used to flash at joints or overlaps of siding.
Permits management of exposure between panels for shadow line effect.

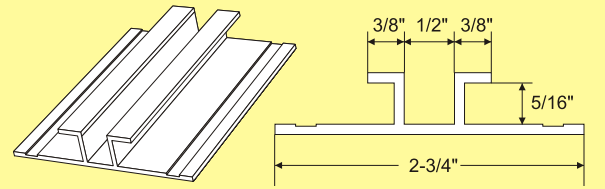
ITEM ID	DESCRIPTION	PACK	LENGTH	FT/BX	PRICE/BX	PRICE/PC
AR8-20	Xtreme Trim™ Shadoz® Adj. Reveal	20	8'	160	\$ 679.30	\$ 33.98
AR8PC	Xtreme Trim™ Shadoz® Adj. Reveal		8'			\$ 45.35



XTREME TRIM™ VERTICAL REVEAL

Provides an aesthetically attractive vertical reveal while serving as a rustproof flashing between siding.

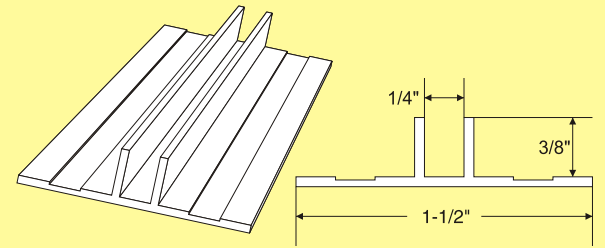
ITEM ID	DESCRIPTION	PACK	LENGTH	FT/BX	PRICE/BX	PRICE/PC
VCVR1210-15	Xtreme Trim™ Vertical Reveal	15	10'	150	\$ 548.65	\$ 36.58
VCVR1210PC	Xtreme Trim™ Vertical Reveal		10'			\$ 48.80



XTREME TRIM™ STUCCO BEAD

Used to flash vertical panel seams to prevent water penetration of fiber cement or hardboard siding panels. A superior choice to caulking.

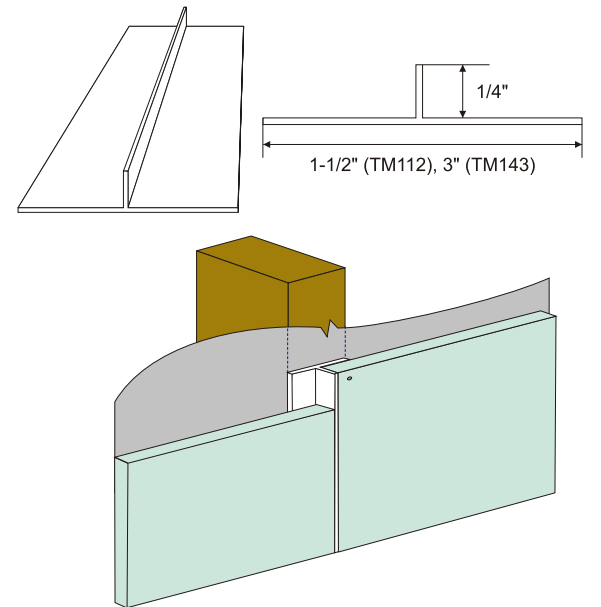
ITEM ID	DESCRIPTION	PACK	LENGTH	FT/BX	PRICE/BX	PRICE/PC
STUCCO10-40	Xtreme Trim™ 10' Stucco Bead	40	10'	400	\$ 623.32	\$ 15.71
STUCCO10PC	Xtreme Trim™ 10' Stucco Bead		10'			\$ 20.71
STUCCO8-40	Xtreme Trim™ 8' Stucco Bead	40	8'	320	\$ 502.47	\$ 12.56
STUCCO8PC	Xtreme Trim™ 8' Stucco Bead		8'			\$ 17.56



PANELSEAM® T-MOLD

Used to flash vertical panel seams to prevent water penetration of fiber cement or hardboard siding panels. A superior choice to caulking.

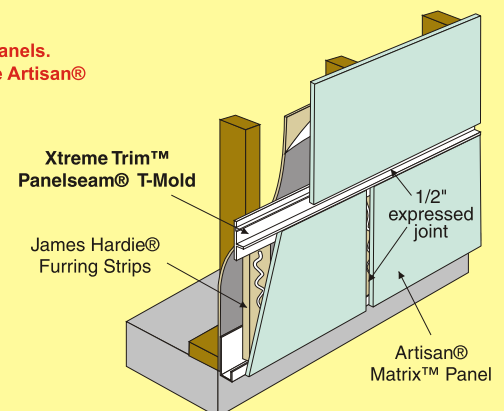
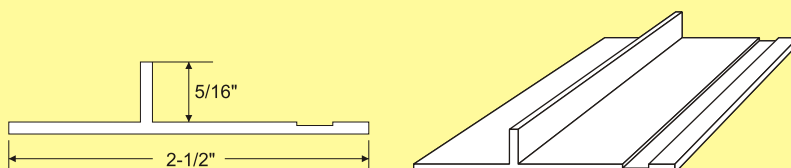
ITEM ID	DESCRIPTION	PACK	LENGTH	FT/BX	PRICE/BX	PRICE/PC
TM11210-40	10' Panelseam® T-Mold	40	10'	400	\$ 444.45	\$ 11.10
TM11210PC	10' Panelseam® T-Mold		10'			\$ 14.85
TM1126-40	6' Panelseam® T-Mold	40	6'	240	\$ 266.70	\$ 6.70
TM1126PC	6' Panelseam® T-Mold		6'			\$ 8.95
TM1128-40	8' Panelseam® T-Mold	40	8'	320	\$ 368.80	\$ 9.25
TM1128PC	8' Panelseam® T-Mold		8'			\$ 12.30
TM1129-40	9' Panelseam® T-Mold	40	9'	360	\$ 400.00	\$ 10.00
TM1129PC	9' Panelseam® T-Mold		9'			\$ 13.35
TM14310-20	10' Wide Panelseam® T-Mold	20	10'	200	\$ 322.55	\$ 16.15
TM14310PC	10' Wide Panelseam® T-Mold		10'			\$ 21.55
TM1438-20	8' Wide Panelseam® T-Mold	20	8'	160	\$ 273.30	\$ 13.70
TM1438PC	8' Wide Panelseam® T-Mold		8'			\$ 18.25
TM1439-20	9' Wide Panelseam® T-Mold	20	9'	180	\$ 298.00	\$ 14.90
TM1439PC	9' Wide Panelseam® T-Mold		9'			\$ 19.90



XTREME TRIM™ PANELSEAM® T-MOLD

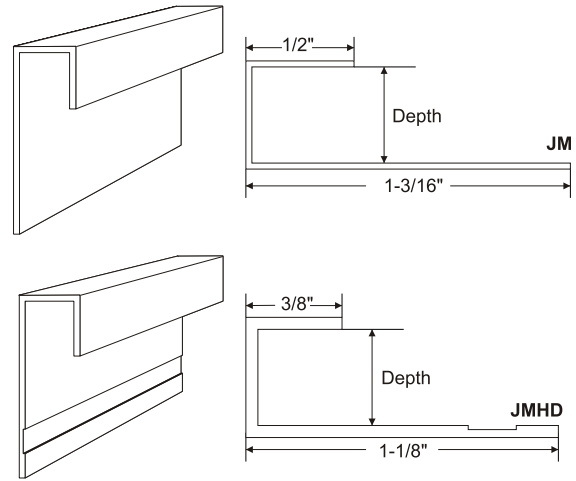
Used to flash vertical panel seams to prevent water penetration of fiber cement or hardboard siding panels.
Provide a 1/2" reveal at the horizontal joints in James Hardie Artisan® Matrix™ panels. James Hardie Artisan® Matrix™ panels are designed to be installed with a nominal 1/2" reveal.

ITEM ID	DESCRIPTION	PACK	LENGTH	FT/BX	PRICE/BX	PRICE/PC
VCTM258-20	8' Xtreme Trim™ Panelseam® T-Mold	20	8'	160	\$ 522.55	\$ 26.14
VCTM258PC	8' Xtreme Trim™ Panelseam® T-Mold		8'			\$ 34.90



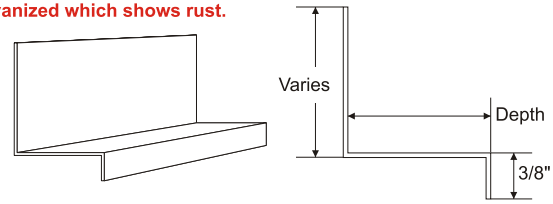
XTREME TRIM™ J MOLD Used to prevent water penetration of fiber cement or hardboard siding panels.
A superior choice to caulking. Used when increased rigidity is needed.

ITEM ID	DESCRIPTION	PACK	LENGTH	FT/BX	PRICE/BX	PRICE/PC
JM5168-25	5/16" x 8' Xtreme Trim™ J Mold	25	8'	200	\$ 312.35	\$ 12.50
JM5168PC	5/16" x 8' Xtreme Trim™ J Mold		8'			\$ 16.70
JM7168-25	7/16" x 8' Xtreme Trim™ J Mold	25	8'	200	\$ 324.35	\$ 12.98
JM7168PC	7/16" x 8' Xtreme Trim™ J Mold		8'			\$ 17.35
JM128-25	1/2" x 8' Xtreme Trim™ J Mold	25	8'	200	\$ 340.10	\$ 13.62
JM128PC	1/2" x 8' Xtreme Trim™ J Mold		8'			\$ 18.20
JM588-25	5/8" x 8' Xtreme Trim™ J Mold	25	8'	200	\$ 388.15	\$ 15.54
JM588PC	5/8" x 8' Xtreme Trim™ J Mold		8'			\$ 20.75
JM348-25	3/4" x 8' Xtreme Trim™ J Mold	25	8'	200	\$ 388.15	\$ 15.54
JM348PC	3/4" x 8' Xtreme Trim™ J Mold		8'			\$ 20.75
JMHD51610-25	5/16" x 10' Xtreme Trim™ Heavy J Mold	25	10'	250	\$ 457.25	\$ 18.30
JMHD51610PC	5/16" x 10' Xtreme Trim™ Heavy J Mold		10'			\$ 24.40



XTREME TRIM™ WINDOW FLASHING Used to flash at windows. Superior to bare galvanized which shows rust.

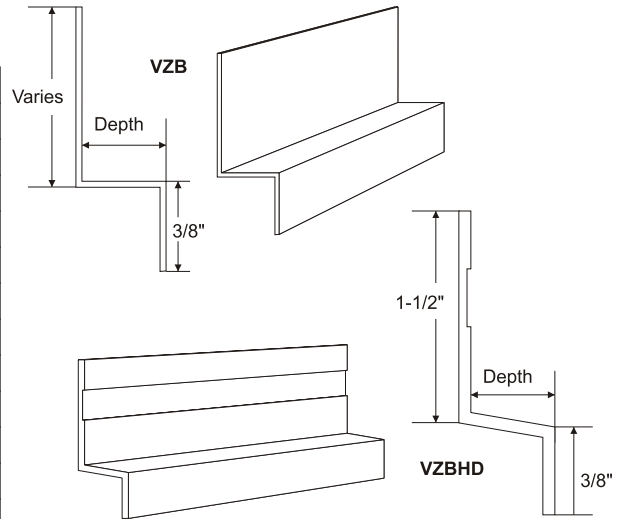
ITEM ID	DESCRIPTION	PACK	LENGTH	FT/BX	PRICE/BX	PRICE/PC
VWF1128-50	3/8" x 1-1/2" x 2-1/8" x 8' Xtreme Trim™ Window Flashing	50	8'	400	\$ 900.95	\$ 18.02
VWF1128PC			8'			\$ 24.05
VWF348-50	3/8" x 3/4" x 1-1/8" x 8' Xtreme Trim™ Window Flashing	50	8'	400	\$ 702.75	\$ 14.06
VWF348PC			8'			\$ 18.75



XTREME TRIM™ ZEAM® Z BAR

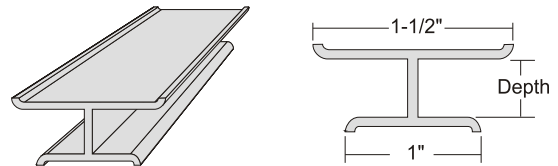
Used to flash at joints or overlaps of siding. Superior to bare galvanized which shows rust.

ITEM ID	DESCRIPTION	PACK	LENGTH	FT/BX	PRICE/BX	PRICE/PC
VZB128-50	1/2" x 8' Xtreme Trim™ Zeam® Z Bar	50	8'	400	\$ 482.00	\$ 9.64
VZB128PC	1/2" x 8' Xtreme Trim™ Zeam® Z Bar		8'			\$ 12.90
VZB388-50	3/8" x 8' Xtreme Trim™ Zeam® Z Bar	50	8'	400	\$ 429.45	\$ 8.60
VZB388PC	3/8" x 8' Xtreme Trim™ Zeam® Z Bar		8'			\$ 11.50
VZB5168-50	5/16" x 8' Xtreme Trim™ Zeam® Z Bar	50	8'	400	\$ 378.40	\$ 7.50
VZB5168PC	5/16" x 8' Xtreme Trim™ Zeam® Z Bar		8'			\$ 10.15
VZB588-50	5/8" x 8' Xtreme Trim™ Zeam® Z Bar	50	8'	400	\$ 482.00	\$ 9.64
VZB588PC	5/8" x 8' Xtreme Trim™ Zeam® Z Bar		8'			\$ 12.90
VZB7168-50	7/16" x 8' Xtreme Trim™ Zeam® Z Bar	50	8'	400	\$ 456.50	\$ 9.14
VZB7168PC	7/16" x 8' Xtreme Trim™ Zeam® Z Bar		8'			\$ 12.20
VZBHD51610-50	5/16" x 10' Xtreme Trim™ Zeam® Z Bar	50	10'	500	\$ 587.85	\$ 23.52
VZBHD51610PC	5/16" x 10' Xtreme Trim™ Zeam® Z Bar		10'			\$ 31.40



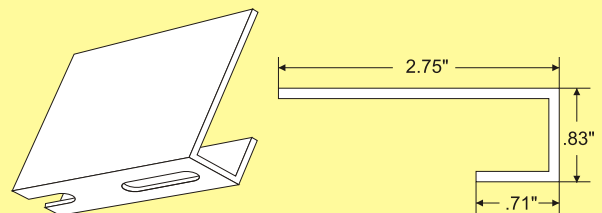
FOAM BOARD DIVIDER™ Used to connect and stiffen foam board panels.
Used when increased rigidity is needed. Sold by carton only.

ITEM ID	DESCRIPTION	PACK	LENGTH	FT/BX	PRICE/BX	PRICE/PC
FBD1210-40	1/2" x 10' Foam Board Divider™	40	10	400	\$ 78.10	\$ 3.92
FBD5810-20	5/8" x 10' Foam Board Divider™	20	10	200	\$ 88.30	\$ 4.42



PVC VENT STRIP Designed to be installed at the base of Artisan® Matrix™ Panel made by James Hardie. The vents allow any moisture build up behind the siding panels to weep out while preventing pests from entering. The venting also provides cavity ventilation which assists in drying cavity moisture and also helps increase energy efficiency due to the separation between outside heat and interior walls.

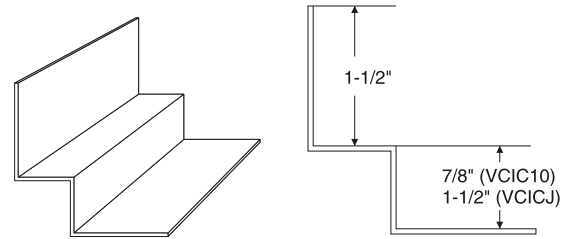
ITEM ID	DESCRIPTION	PACK	LENGTH	FT/BX	PRICE/BX	PRICE/PC	ITEM ID	PRICE/PC
VS8-40	8' PVC Vent Strip	40	8'	320	\$ 624.65	\$ 15.62	VS8PC	\$ 20.85
VS10-40	10' PVC Vent Strip	40	10'	400	\$ 780.80	\$ 19.52	VS10PC	\$ 26.05



XTREME TRIM™ PERMACORNER® INSIDE CORNER

The ideal product to seal and secure the inside corner joint of lap sidings.
Wood will eventually fail, this doesn't.

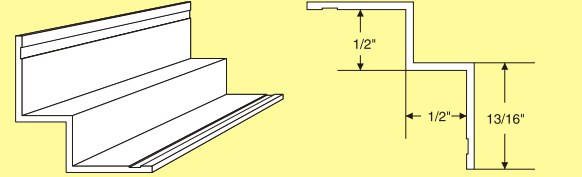
ITEM ID	DESCRIPTION	PACK	LENGTH	FT/BX	PRICE/BX	PRICE/PC
VCIC10-10	10' Permacorner® Inside Corner	10	10'	100	\$ 237.25	\$ 23.74
VCIC10PC	10' Permacorner® Inside Corner		10'			\$ 31.70
VCICJ-10	10' Jumbo Permacorner® Inside Corner	10	10'	100	\$ 360.40	\$ 36.04
VCICJPC	10' Jumbo Permacorner® Inside Corner		10'			\$ 48.10



XTREME TRIM™ PANELCORNER® INSIDE CORNER

The ideal product to seal and secure the inside corner joint of panel sidings.
Wood will eventually fail, this doesn't.

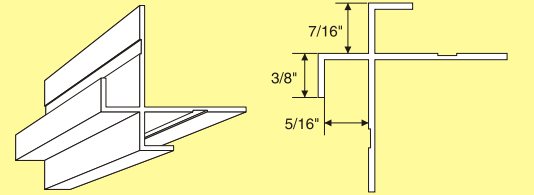
ITEM ID	DESCRIPTION	PACK	LENGTH	FT/BX	PRICE/BX	PRICE/PC
VCIPC10-10	10' Panelcorner® Inside Corner	10	10'	100	\$ 283.50	\$ 28.36
VCIPC10PC	10' Panelcorner® Inside Corner		10'			\$ 37.85



XTREME TRIM™ PANELCORNER® OPEN OUTSIDE CORNER

Used to connect vertical panels at outside corners where minimal exposure is needed.
Provides a good looking, durable outside corner with vertical siding panels.

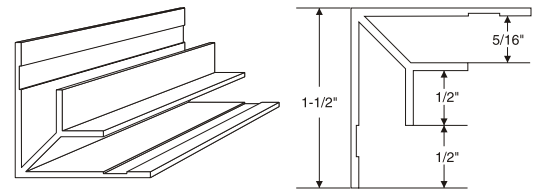
ITEM ID	DESCRIPTION	PACK	LENGTH	FT/BX	PRICE/BX	PRICE/PC
VCOOC10-10	10' Panelcorner® Open Outside Corner	10	10'	100	\$ 365.80	\$ 36.58
VCOOC10PC	10' Panelcorner® Open Outside Corner		10'			\$ 48.80



XTREME TRIM™ LOW PROFILE PANELCORNER® INSIDE CORNER

Used to connect vertical panels at inside corners where minimal exposure is needed.
Provides a good looking, low profile, durable inside corner with vertical siding panels.

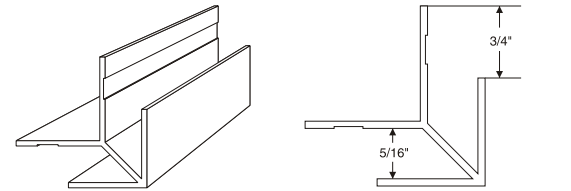
ITEM ID	DESCRIPTION	PACK	LENGTH	FT/BX	PRICE/BX	PRICE/PC
VCICLP10-10	10' Low Profile Panelcorner® Inside Corner	10	10'	100	\$ 368.50	\$ 36.58
VCICLP10PC	10' Low Profile Panelcorner® Inside Corner		10'			\$ 48.80



XTREME TRIM™ LOW PROFILE PANELCORNER® OUTSIDE CORNER

Used to connect vertical panels at outside corners where minimal exposure is needed.
Provides a good looking, low profile, durable outside corner with vertical siding panels.

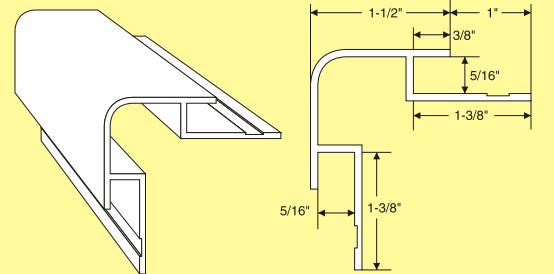
ITEM ID	DESCRIPTION	PACK	LENGTH	FT/BX	PRICE/BX	PRICE/PC
VCOCLP10-10	10' Low Profile Panelcorner® Outside Corner	10	10'	100	\$ 368.50	\$ 36.58
VCOCLP10PC	10' Low Profile Panelcorner® Outside Corner		10'			\$ 48.80



XTREME TRIM™ PANEL BULLNOSE OUTSIDE CORNER

Provides the smooth, round appearance, durable outside corner with vertical siding panels.

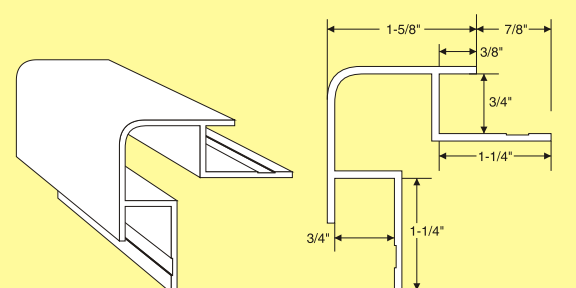
ITEM ID	DESCRIPTION	PACK	LENGTH	FT/BX	PRICE/BX	PRICE/PC
VCPLBOC10-10	10' Panel Bullnose Outside Corner	10	10'	100	\$ 496.40	\$ 49.64
VCPLBOC10PC	10' Panel Bullnose Outside Corner		10'			\$ 66.20



XTREME TRIM™ PLANK BULLNOSE OUTSIDE CORNER

Provides the smooth, round appearance, durable outside corner with vertical lap siding panels.

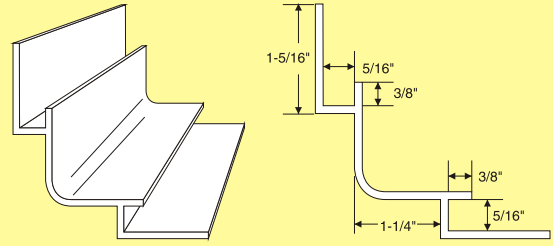
ITEM ID	DESCRIPTION	PACK	LENGTH	FT/BX	PRICE/BX	PRICE/PC
VCPKBOC10-10	10' Plank Bullnose Outside Corner	10	10'	100	\$ 496.40	\$ 49.64
VCPKBOC10PC	10' Plank Bullnose Outside Corner		10'			\$ 66.20



XTREME TRIM™ PANEL BULLNOSE INSIDE CORNER

Provides a smooth, round appearance to inside corners, durable inside corner with vertical siding panels.

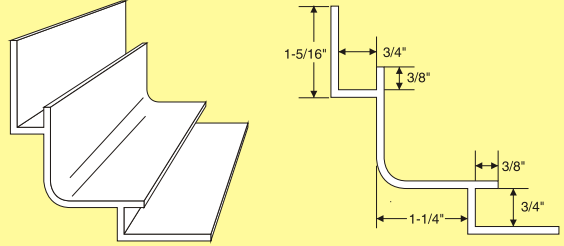
ITEM ID	DESCRIPTION	PACK	LENGTH	FT/BX	PRICE/BX	PRICE/PC
VCPLBIC10-10	10' Panel Bullnose Inside Corner	10	10'	100	\$ 496.40	\$ 49.64
VCPLBIC10PC	10' Panel Bullnose Inside Corner		10'			\$ 66.20



XTREME TRIM™ PLANK BULLNOSE INSIDE CORNER

Provides a smooth, round appearance to inside corners, durable inside corner with vertical siding panels.

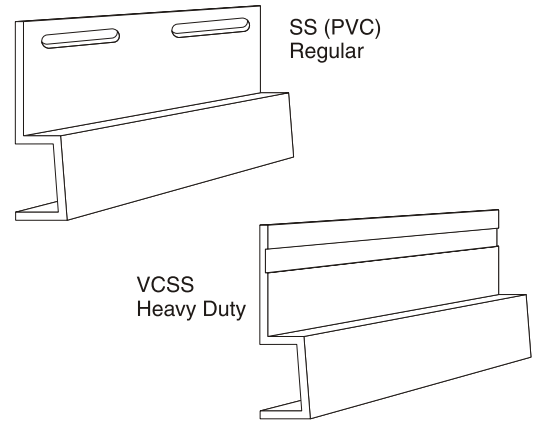
ITEM ID	DESCRIPTION	PACK	LENGTH	FT/BX	PRICE/BX	PRICE/PC
VCPKBIC10-10	10' Plank Bullnose Inside Corner	10	10'	100	\$ 496.40	\$ 49.64
VCPKBIC10PC	10' Plank Bullnose Inside Corner		10'			\$ 66.20



LAPSTART® LAP STARTER STRIP

Starter/bottom course for Hardieplank™ lap siding. Waterproof, no cracking, rusting, or rotting. Tamlyn Xtreme Trim™ Lapstart® Lap Starter Strip provides ease-of-installation, consistent appearance and durability. Ideally suited for commercial and government projects requiring non-toxic, non-corrosive, non-flammable products.

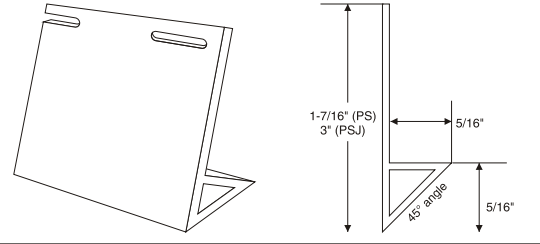
ITEM ID	DESCRIPTION	PACK	LENGTH	FT/BX	PRICE/BX	PRICE/PC
SS8-50 (PVC)	5/16" Lapstart® Lap Starter Strip	50	8'	400	\$ 471.50	\$ 9.45
SS8PC (PVC)	5/16" Lapstart® Lap Starter Strip		8'			\$ 12.60
SS128-50 (PVC)	1/2" Lapstart® Lap Starter Strip	50	8'	400	\$ 471.50	\$ 9.45
SS128PC (PVC)	1/2" Lapstart® Lap Starter Strip		8'			\$ 12.60
SS588-50 (PVC)	5/8" Lapstart® Lap Starter Strip	50	8'	400	\$ 471.50	\$ 9.45
SS588PC (PVC)	5/8" Lapstart® Lap Starter Strip		8'			\$ 12.60
VCSS5168-50	5/16" Xtreme Trim™ Lapstart® Lap Starter Strip	50	8'	400	\$ 471.50	\$ 9.45
VCSS5168PC	5/16" Xtreme Trim™ Lapstart® Lap Starter Strip		8'			\$ 12.60



PANELSTART® STARTER STRIP

Ledger style starter for use with vertical siding to provide a stable, even panel line.

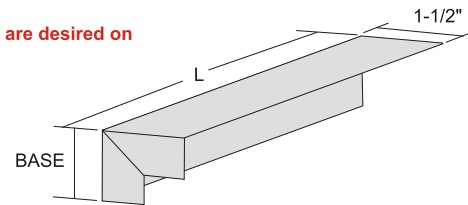
ITEM ID	DESCRIPTION	PACK	LENGTH	FT/BX	PRICE/BX	PRICE/PC
PS8-50	8' Panelstart® Starter Strip	50	8'	400	\$ 471.50	\$ 9.45
PS8PC	8' Panelstart® Starter Strip		8'			\$ 12.60
PSJ8-50	8' Jumbo Panelstart® Starter Strip	50	8'	400	\$ 1081.00	\$ 21.65
PSJPC	8' Jumbo Panelstart® Starter Strip		8'			\$ 28.90



SIDING AND FASCIA CORNERS - 100 PCS / CTN.

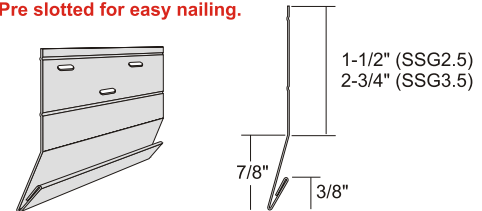
Use to dress up home by covering joint of roof line fascia boards. Also used where individual lap corners are desired on horizontal siding panels. Embossed/wood grain sides give top quality finished appearance.

ITEM ID	DESCRIPTION	BASE	LENGTH	PACK	UNIT PRICE
FC6C	6" 26 Ga. Galvanized Fascia Corner - Embossed	1/2"	6"	100 PCS/CTN	\$ 143.70
2108XL-W	8" Aluminum Fascia Corner - Woodgrain Finish	1/2"	8"	100 PCS/CTN	\$ 164.55
2110XL-W	12" Aluminum Fascia Corner - Woodgrain Finish	1/2"	12"	100 PCS/CTN	\$ 179.25



SIDING STARTER STRIP 10' LENGTH 50 PCS / CTN. Much stronger than vinyl starter strip. Pre slotted for easy nailing.

DESCRIPTION	SIZE	GIRTH	PACK	STD GALV	28 GA
2-1/2" Siding Starter Strip	2-1/2"	3"	50	SSG25	SSG25M
				\$ 229.50	\$ 348.85
3-1/2" Siding Starter Strip	3-1/2"	4"	50	SSG35	SSG35M
				\$ 308.45	\$ 468.85



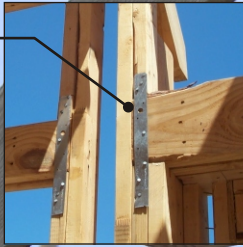


STRUCTURAL AND HIGH WIND CONNECTORS

The Standard for your Home !

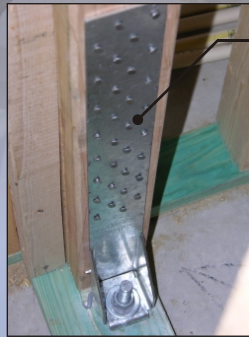
Hurricane Straps

Resist structural movement created by high winds, earthquakes, and other dangerous acts of nature. Excellent value for the investment. Available in fixed-length and coils.



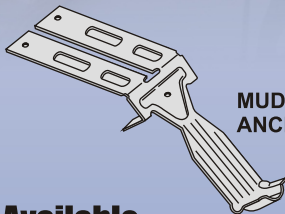
Rafter Ties Hurricane Clips

Quickly and solidly connect various wood components, thus aiding in achieving a continuous connection from rafters to foundation.

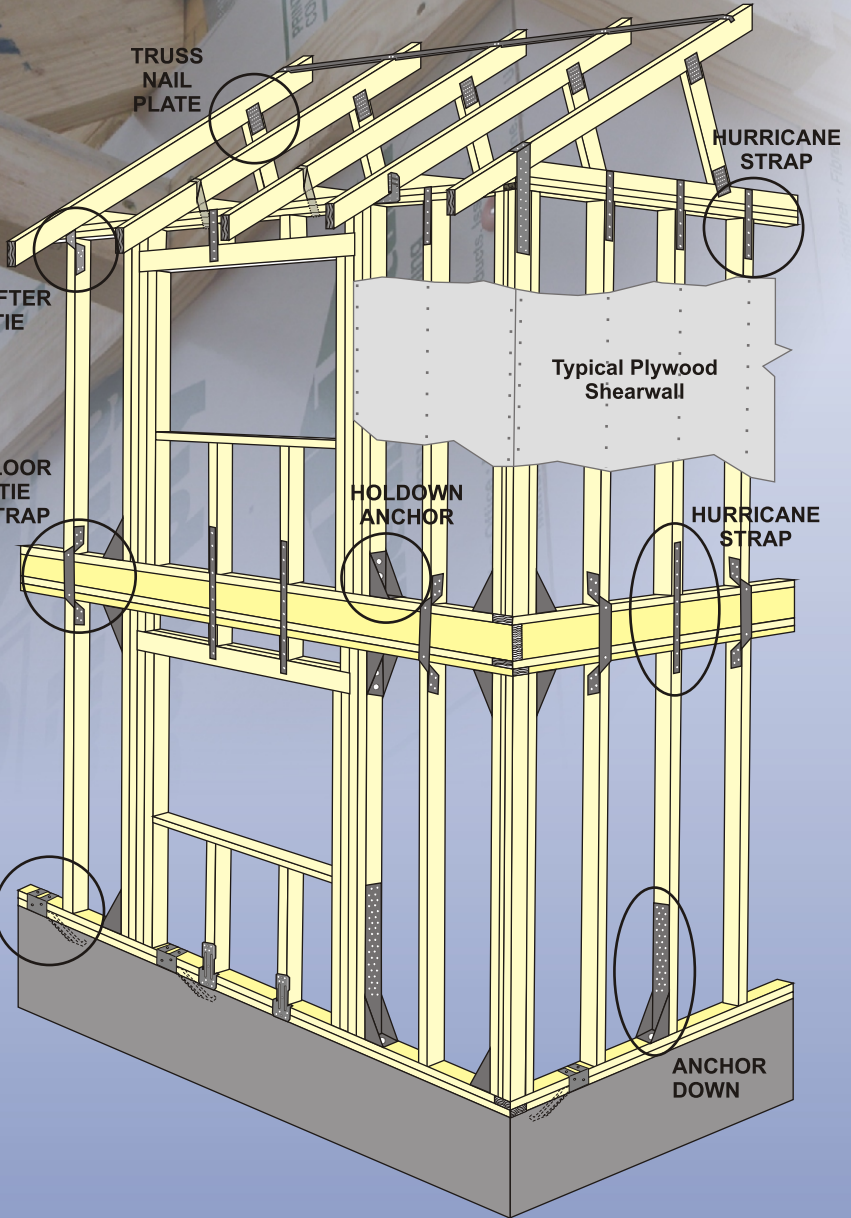


Anchor Downs

Connect shear panels to the foundation. Provide full range of load capacity.



MUDSILL ANCHOR



Windstorm Panels Also Available

ES Tamlyn Structural Lumber Connectors are Code Listed with ICC-ES &TDI



Cuts Almost Anything!
UNIVERSAL DIAMOND BLADE



Cuts Brick!



Cuts Fiber-Cement!



Cuts Block!



Cuts Stone!

LOW COST • GUARANTEED PERFORMANCE
 • EXTREME DURABILITY





www.tamlyn.com

ROOFING AND SIDING PRODUCTS

Corporate Headquarters / Plant
13623 Pike Road
Stafford, Texas 77477
USA Toll Free 800-334-1676
Phone 281-499-9604
Fax 281-499-8948

Dallas Plant
10940 Petal Street
Dallas, Texas 75238