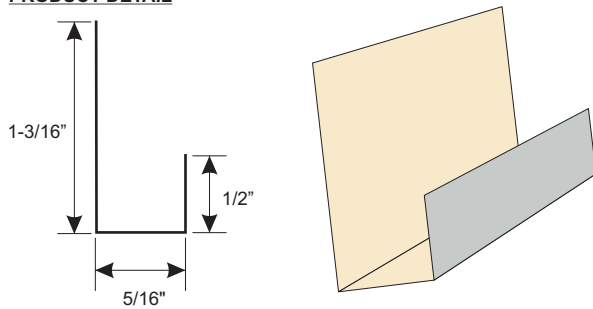




Tamlyn Color Flashing

J Flashing

PRODUCT DETAIL



Custom sizes available to fit your specifications !

DESIGN FEATURES

Prevents water penetration and trims up the home appearance. J-Mold covers the top edge of siding at the soffit or intersections and at door and window openings. Longer lasting, more effective than contractor grade caulk. Provides a smooth trim seam to cover siding.

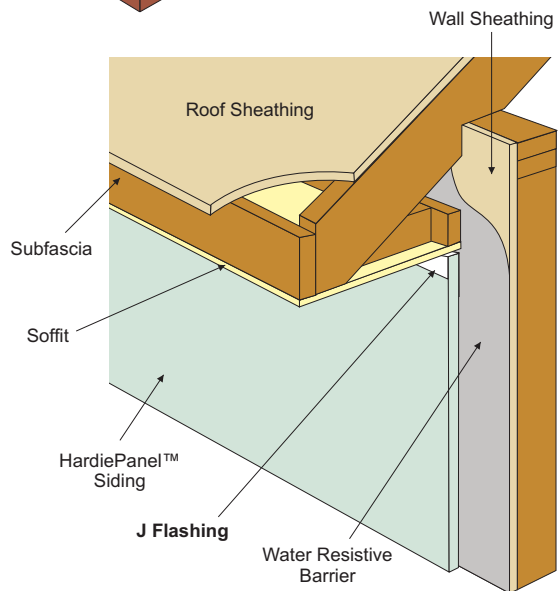
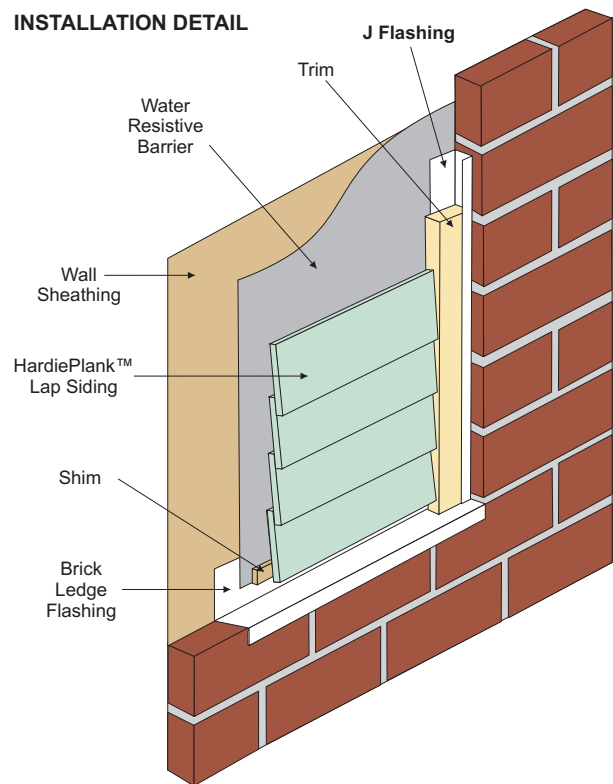
MATERIAL

3105-type aluminum sheet coated on both sides with Dymalar® 2000 paint system that is specifically formulated for residential exterior applications.

Standard colors shown below. Other colors available upon request.



INSTALLATION DETAIL



ColorPlus Technology logo, Recommended logo, HardiePanel and HardiePlank are trademarks or registered trademarks of James Hardie International Finance B.V.