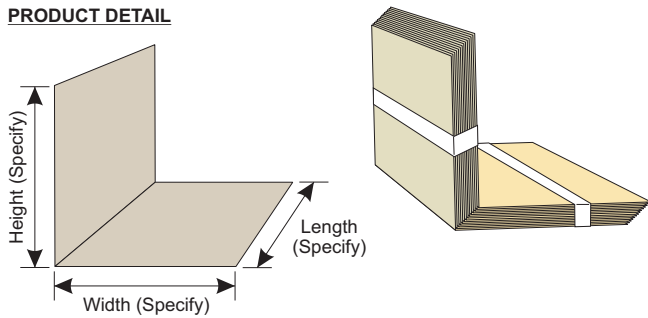




Tamlyn Color Flashing

Step Flashing

PRODUCT DETAIL



Custom sizes available to fit your specifications !

DESIGN FEATURES

Multiple uses including chimney and skylight flashing. Furnished in pre-cut, user friendly pieces; no need to spend valuable time cutting 10' flashing pieces to required shorter lengths.

INSTALLATION

Install the first piece of step flashing over the first course of shingles. Step flashing should be layered over the kickout flashing and should be held in place by a nail driven in at its uppermost corner as far from the roof as possible. Install the second course of shingles. Repeat the installation of the step flashing after each new course of shingles.

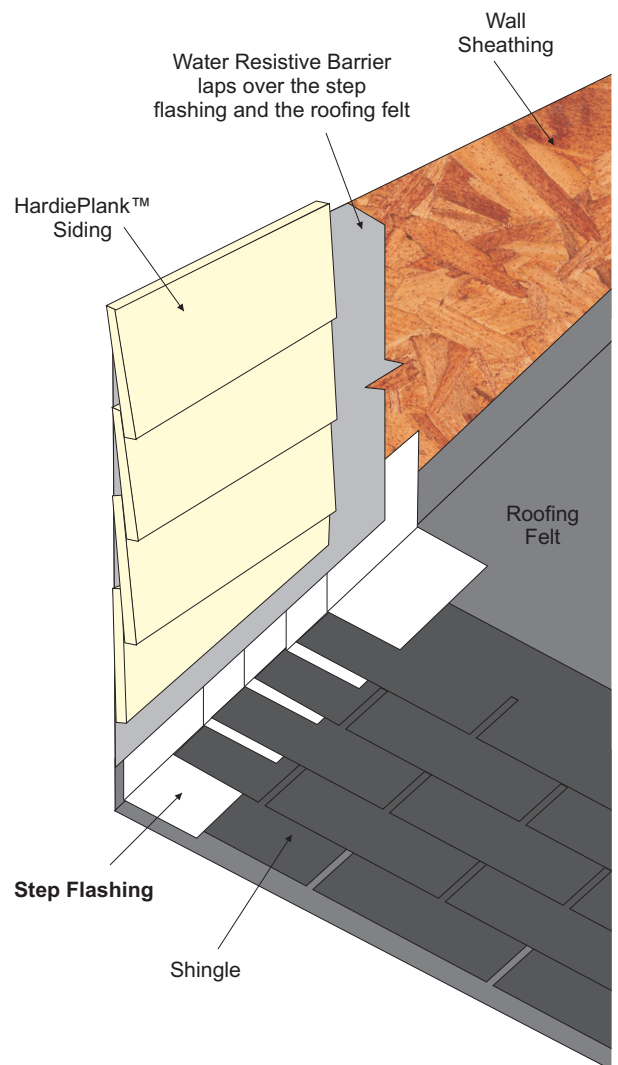
MATERIAL

3105-type aluminum sheet coated on both sides with Dymalar® 2000 paint system that is specifically formulated for residential exterior applications.

Standard colors shown below. Other colors available upon request.



INSTALLATION DETAIL



ColorPlus Technology logo, Recommended logo, HardiePanel and HardiePlank are trademarks or registered trademarks of James Hardie International Finance B.V.