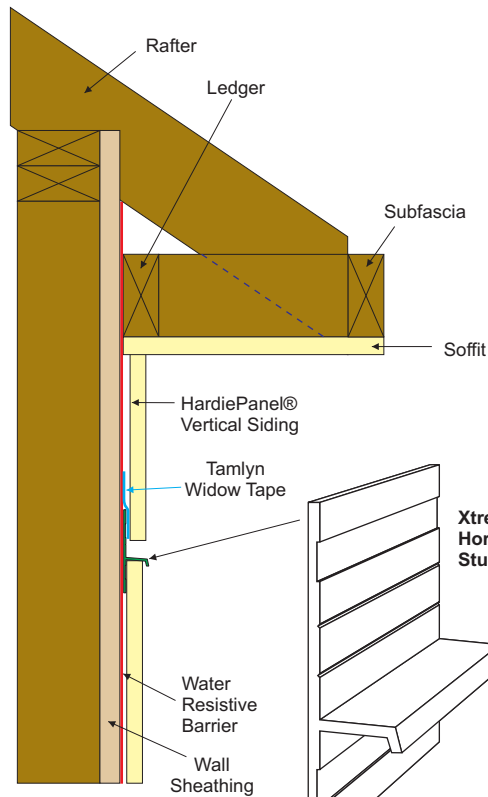
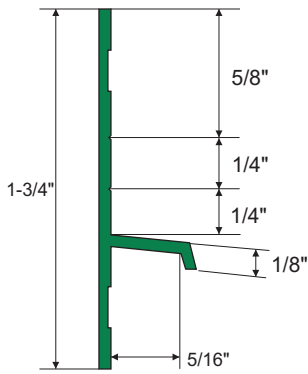


Xtreme Trim™ Horizontal Stucco Bead



EXTRUDED ALUMINUM



DESIGN FEATURES: Designed to work as a system with Vertical Stucco Bead. Serves as an expansion joint between panels. Works with all panel profiles/finishes. Xtreme Trim™ Horizontal Stucco Bead Adjustable Reveal is an aesthetically pleasing product for your home or project.

EXPANSION & CONTRACTION: Siding panels will expand and contract due to changes in temperature. Allow a 1/8" gap between panels and trim.

FASTENERS: Stainless steel fasteners are recommended when installing Tamlyn Xtreme Trim™.

FASTENING: Do not fasten edges of panels until trims are in place. Fasten panel at center and work outward. Fasteners should be staggered on opposite panel edges.

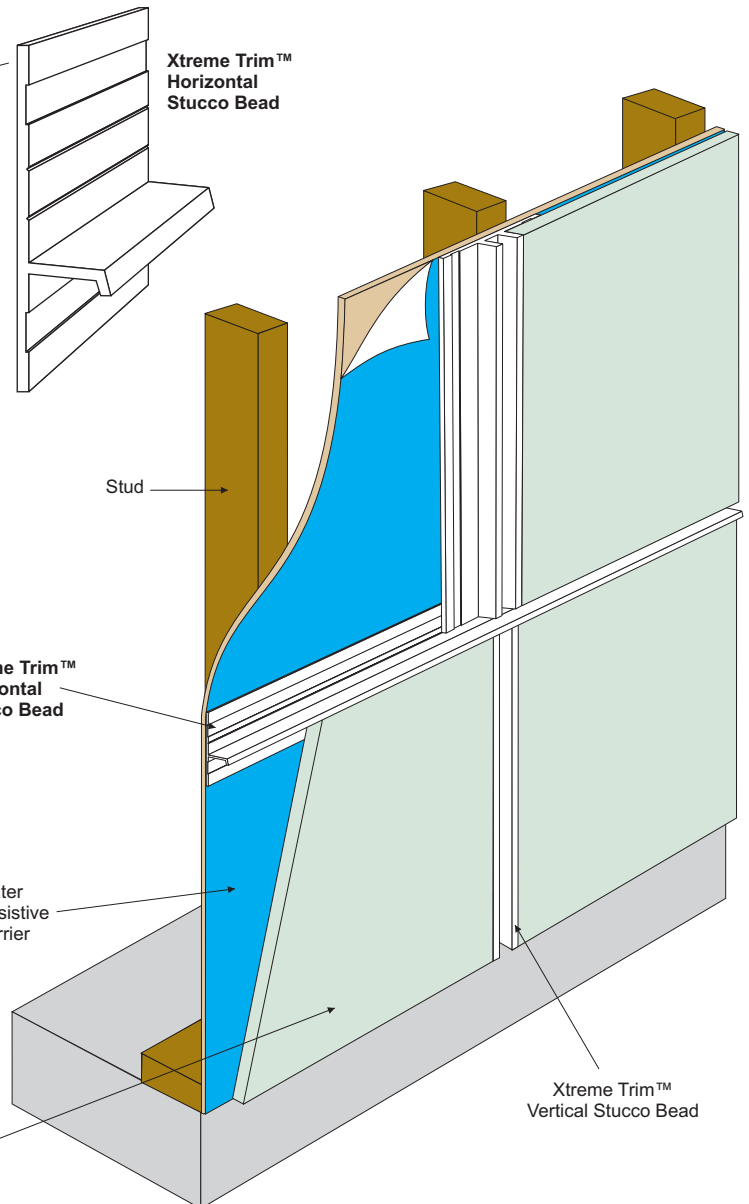
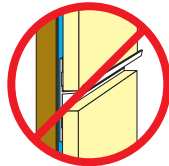
Please follow siding manufacturers best practice application when installing any Tamlyn accessory. Xtreme Trim™ profiles do not form a moisture management system, the architect and builder are responsible for designing and installing a code compliant building envelope.

MATERIAL: Custom die-extruded from heavy-duty, 6063 T-5 extruded aluminum alloy with proprietary coating that protects against harsh weather conditions and allows for paint adhesion.

Available in standard primed (ready-to-paint), color match, and anodized finishes. Unless otherwise specified all Xtreme Trim™ products are provided in primed, ready-to-paint finish.

Available in most popular James Hardie® Siding and Soffit colors with ColorPlus® technology.

NOTE: Slight color variance lot to lot



ITEM ID	LENGTH
STUCCOH10	10'