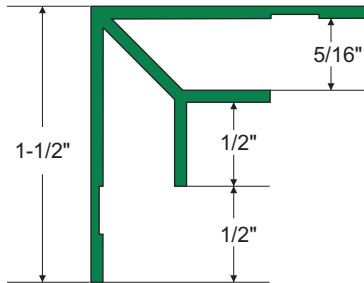


# Xtreme Trim™ Low Profile Panelcorner® Inside Corner



US Trademark #2,537,446

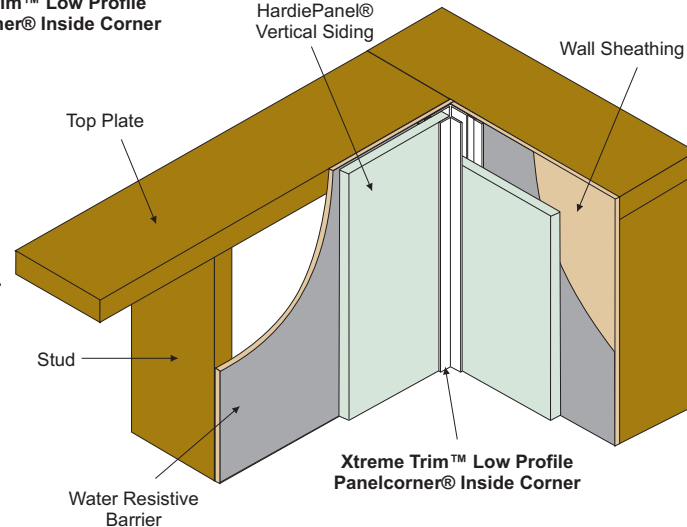
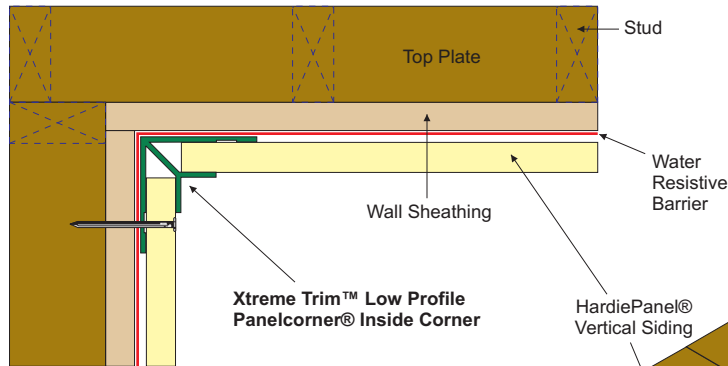
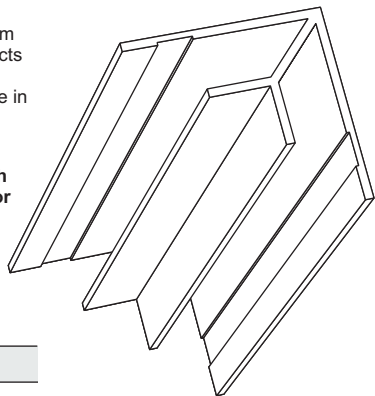


**DESIGN FEATURES:** Provides a good looking, low profile, durable inside corner with vertical siding panels.

**MATERIAL:** Custom die-extruded from heavy duty, 6063 T-5 extruded aluminum alloy with proprietary coating that protects against harsh weather conditions and allows for paint adhesion. Also available in anodized finishes.

Available in most popular James Hardie® Siding and Soffit colors with ColorPlus® technology. Specify color code using Color Palette on page 3.

**NOTE:** Slight color variance lot to lot



ITEM ID	LENGTH
VCICLP10	10'