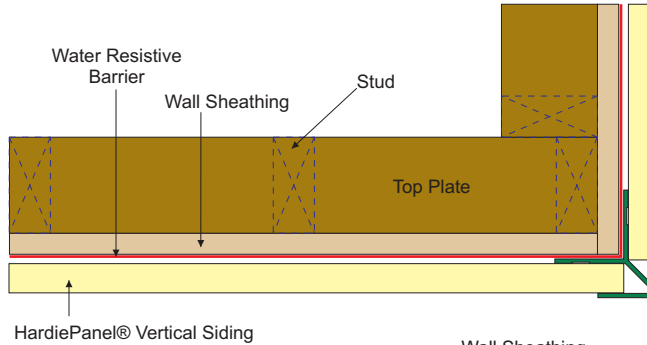
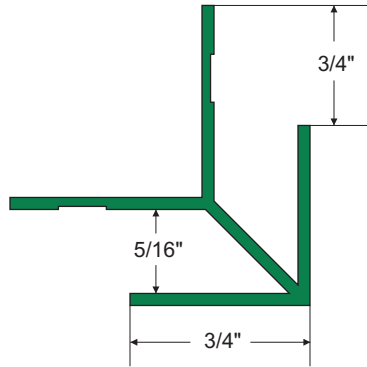


Xtreme Trim™ Low Profile Panelcorner® Outside Corner



US Trademark #2,537,446



**Xtreme Trim™
Low Profile
Panelcorner®
Outside Corner**

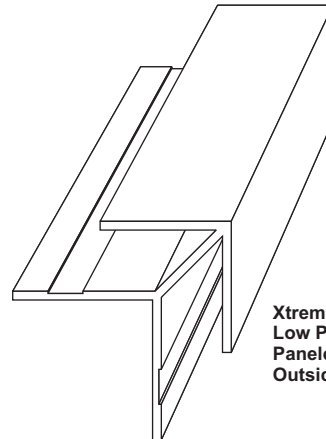
DESIGN FEATURES: Provides a good looking, low profile, durable outside corner with vertical siding panels.

MATERIAL: Custom die-extruded from heavy duty, 6063 T-5 extruded aluminum alloy with proprietary coating that protects against harsh weather conditions and allows for paint adhesion. Also available in anodized finishes.

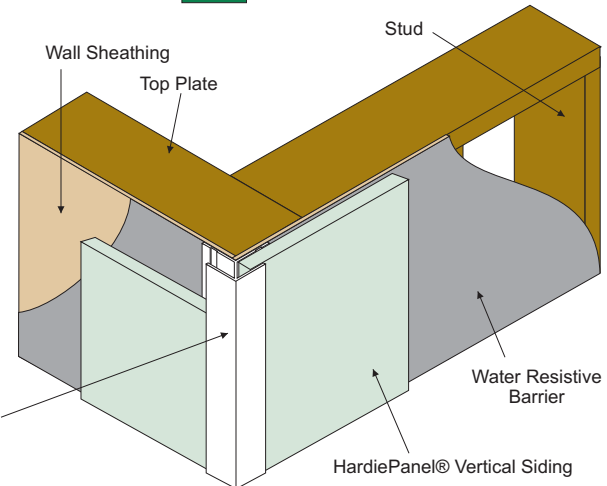
Available in most popular James Hardie® Siding and Soffit colors with ColorPlus® technology. Specify color code using Color Palette on page 3.

NOTE: Slight color variance lot to lot

ITEM ID	LENGTH
VCOCLP10	10'



**Xtreme Trim™
Low Profile
Panelcorner®
Outside Corner**



HardiePanel® Vertical Siding