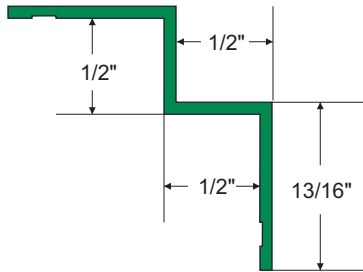


Xtreme Trim™ Panel Inside Corner



US Patent #5,960,598

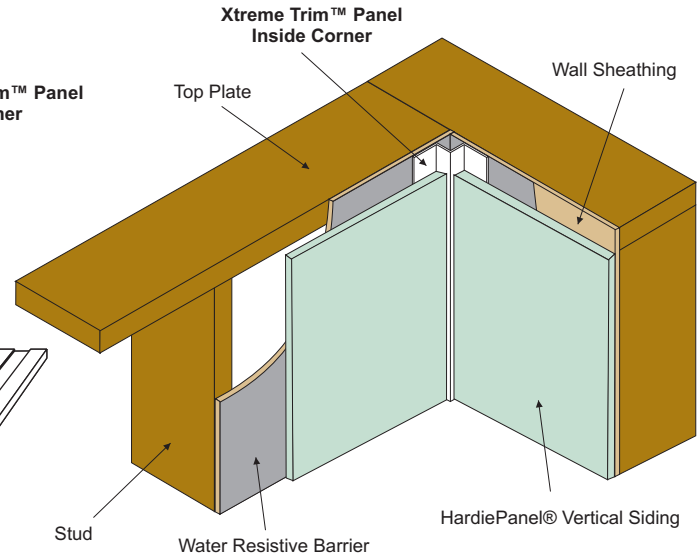
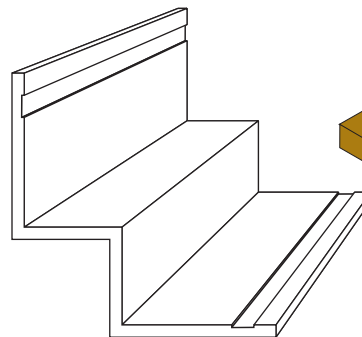
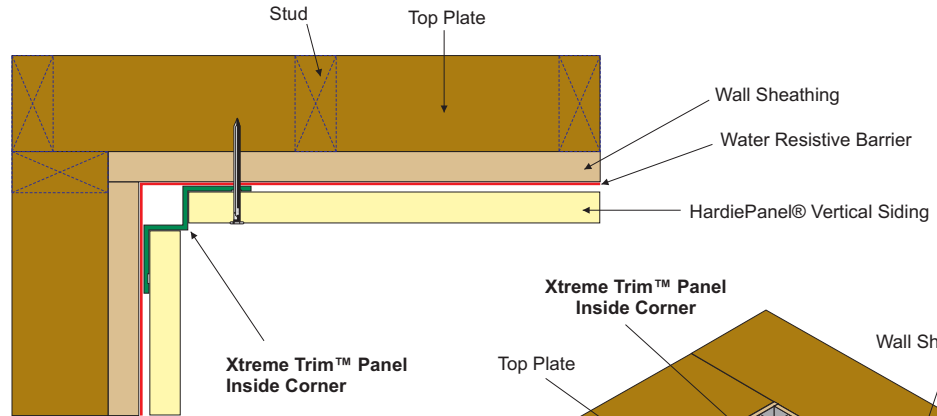


DESIGN FEATURES: Patented design authentically duplicates the look of a wood corner piece without the maintenance headaches. Eliminates wood inside corner piece that will split/rot over time.

MATERIAL: Custom die-extruded from heavy duty, 6063 T-5 extruded aluminum alloy with proprietary coating that protects against harsh weather conditions and allows for paint adhesion. Also available in anodized finishes.

Available in most popular James Hardie® Siding and Soffit colors with ColorPlus® technology. Specify color code using Color Palette on page 3.

NOTE: Slight color variance lot to lot



ITEM ID	LENGTH
VCIPC10	10'