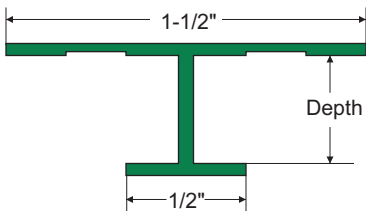


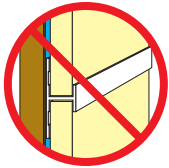
Xtreme Trim™ Vertical Siding H-Mold



EXTRUDED ALUMINUM



DESIGN FEATURES: Designed to cover vertical joints in HardiePanel® vertical siding. Longer lasting, more effective than contractor grade caulk. Provides a smooth trim seam to cover siding.



Do not install Xtreme Trim™ Siding H-Mold horizontally. Use Xtreme Trim™ Zeam® Z Bar or Xtreme Trim™ Horizontal Stucco Bead. Adjustable Reveal for other horizontal installation.

EXPANSION & CONTRACTION: Siding panels will expand and contract due to changes in temperature. Allow a 1/8" gap between panels and trim.

FASTENERS: Stainless steel fasteners are recommended when installing Tamlyn Xtreme Trim™.

FASTENING: Do not fasten edges of panels until trims are in place. Fasten panel at center and work outward. Fasteners should be staggered on opposite panel edges.

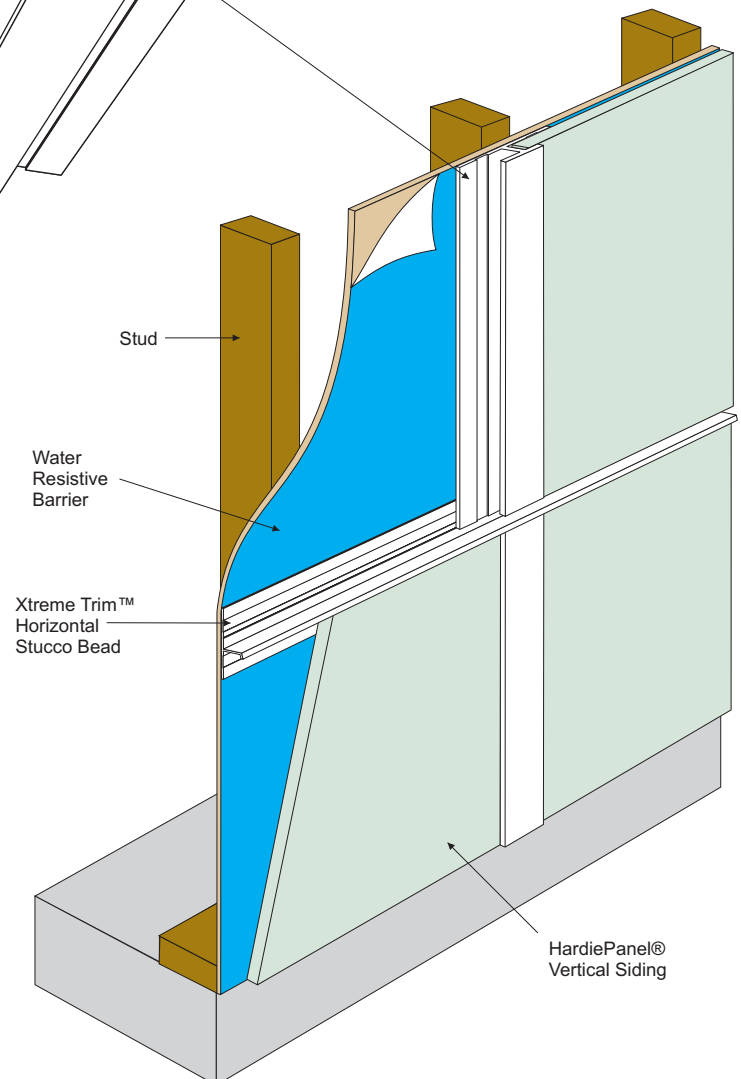
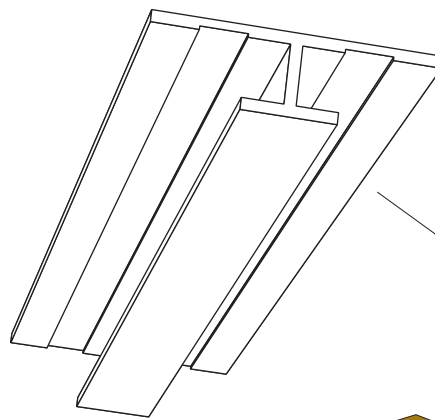
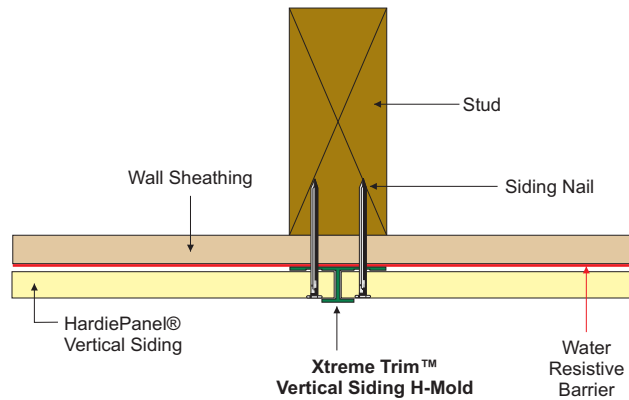
Please follow siding manufacturers best practice application when installing any Tamlyn accessory. Xtreme Trim™ profiles do not form a moisture management system, the architect and builder are responsible for designing and installing a code compliant building envelope.

MATERIAL: Custom die-extruded from heavy-duty, 6063 T-5 extruded aluminum alloy with proprietary coating that protects against harsh weather conditions and allows for paint adhesion.

Available in standard primed (ready-to-paint), color match, and anodized finishes. Unless otherwise specified all Xtreme Trim™ products are provided in primed, ready-to-paint finish.

Available in most popular James Hardie® Siding and Soffit colors with ColorPlus® technology.

NOTE: Slight color variance lot to lot



ITEM ID	DEPTH	LENGTH
VCSHM5168	5/16"	8'
VCSHM51610	5/16"	10'