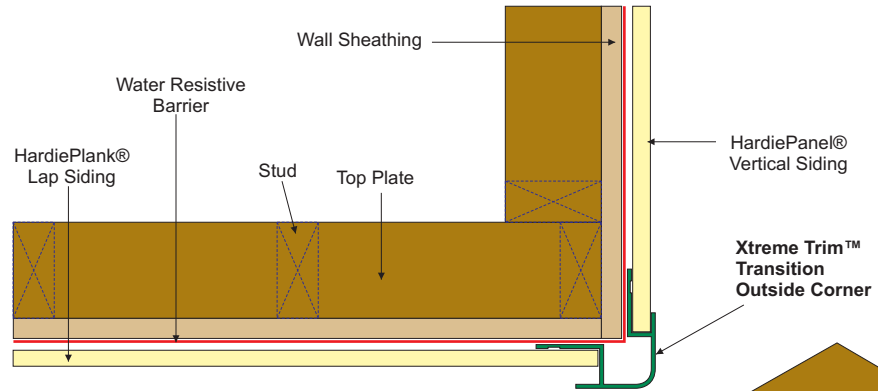
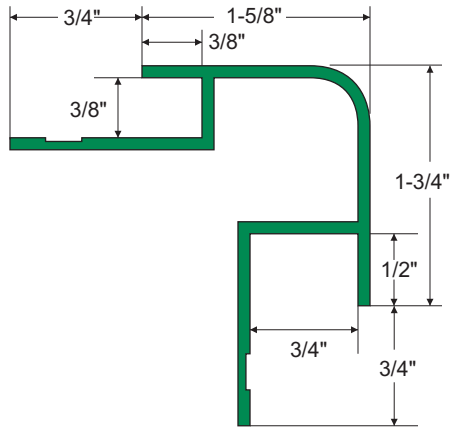


# Xtreme Trim™ Transition Outside Corner

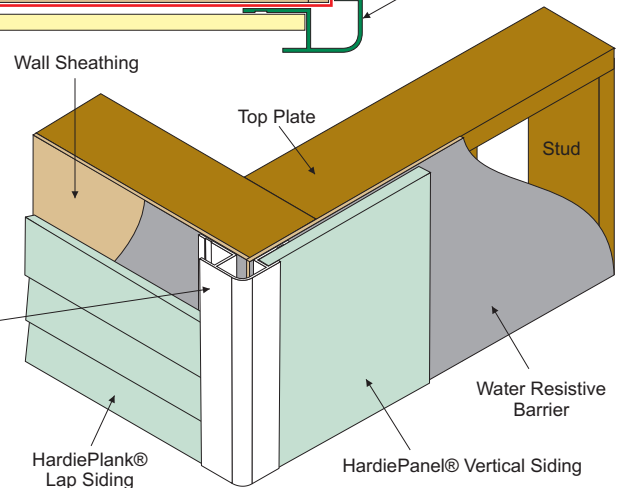
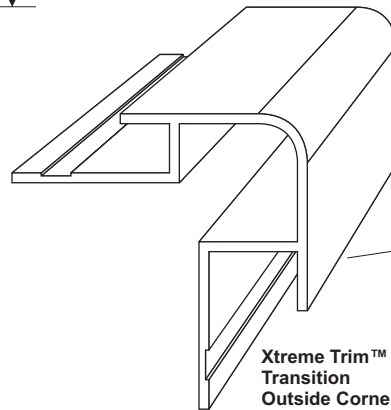


**DESIGN FEATURES:** Provides smooth, round appearance, and durable outside corner. Trim transitions from vertical siding panels to lap siding.

**MATERIAL:** Custom die-extruded from heavy duty, 6063 T-5 extruded aluminum alloy with proprietary coating that protects against harsh weather conditions and allows for paint adhesion.

**Available in most popular James Hardie® Siding and Soffit colors with ColorPlus® technology. Specify color code using Color Palette on page 3.**

**NOTE:** Slight color variance lot to lot



ITEM ID	LENGTH
VCOCPTP10	10'