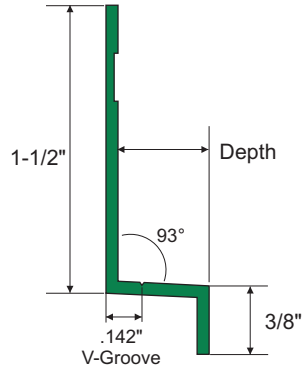


Xtreme Trim™ Zeam® Z Bar Heavy Duty



US Trademark #2,291,533



DESIGN FEATURES: Provides an aesthetically attractive horizontal reveal while serving as a rustproof flashing between HardiePanel®. Design to work in conjunction with Xtreme Trim™ Vertical Reveal and siding H-Mold.

MATERIAL: Custom die-extruded from heavy duty, 6063 T-5 extruded aluminum alloy with proprietary coating that protects against harsh weather conditions and allows for paint adhesion. Also available in anodized finishes.

Available in most popular James Hardie® Siding and Soffit colors with ColorPlus® technology. Specify color code using Color Palette on page 3.

NOTE: Slight color variance lot to lot

ITEM ID	DEPTH	LENGTH
VZBHD10	15/32"	10'

